

NIO-2 Series

2" LED Iolite Round & Square Adjustable trims

Source: LED, 14 Watts, 800 Lumens

PRODUCT DESCRIPTION

NSpec Lighting's Iolite Series feature 2" square and round trims in a surface gimbal and regressed cone adjustable. The die cast aluminum trims feature sharp clean edges and can be aimed down for general lighting or adjusted to highlight or wall wash a focal point. The Iolite ships with a 60° beam spread reflector installed. A 25° and 38° reflector is also included and can be easily changed in the field. An Optional 15° reflector is available. The system provides 800 lumen output, 14 Watts and 95CRI. An obvious choice for Green Energy Efficient lighting in commercial and residential applications.

FEATURES

- 14 Watts
- Cree LED COB package
- 800 Lumens
- 95 CRI
- 2700K, 3000K, and 4000K color temp.
- Ideal Connector
- 6" Cable with insulating sleeve
- 60° (Flood) reflector installed, 38° (Narrow flood) and 25° (Spot) reflector included.
- 15° (Narrow spot) reflector available
- Adjustable square and round trims in surface gimbal, and cone regressed gimbal
- 5-Year limited warranty
- cULus listed for Wet Location
- Dimmable

SPECIFICATION

TRIM

Trims are constructed of heat dissipating die-cast aluminum. The aluminum die-cast LED heat sink is threaded to fit the die-cast lamp holder. The precision threads and positive fit transfers heat to the trim. The surface gimbal adjustable allows for complete and full beam adjustment. The Regressed cone trims optimize visual cut-off. Surface Adjustable adjusts 35°, Regressed Adjustable adjusts 35° degrees. Scientifically and specifiable "Unitized Thermal Management" (UTM) provides exceptional cool operation exceeding all industry standards.

MOUNTING

Trim includes Friction Blades to mount trim securely to housing.

DIMMING

Triac Dimming
 LE3 - 120V Triac / ELV Dimming
 LE4 - 120V Triac, ELV or 0-10V / 277V 0-10 Dimming

[Click Here](#) or refer to www.NoraLighting.com for complete updated dimmer list in the "Compatibility" page under the "Resource" tab.

ELECTRICAL

Voltage: 120VAC
 Current: 350mA
 Power Consumption: 14 Watts
 Light Source: Cree Integrated Platform
 Lumens: 800 to 700 lm
 CRI: 95 CRI
 Operating Temperature: 0°C to 75°C ambient temperature
 Life Expectancy: 50,000 hours

COMPATIBLE HOUSINGS (12" x 7-5/8" x 4")

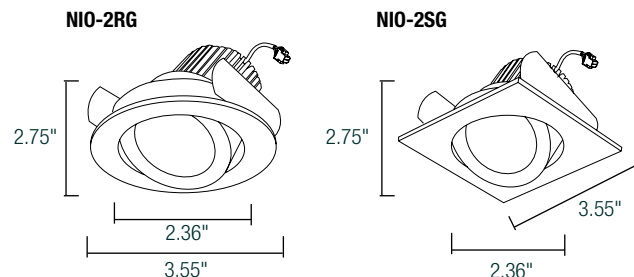
| Catalog No. | Description |
|----------------|---|
| NHIOICD-28LE3: | 2" Iolite IC Air-Tight Low Voltage Housing (120V Triac/ELV) |
| NHIOICD-28LE4: | 2" Iolite IC Air-Tight Low Voltage Housing (120V Triac / 120V 0-10 / 277V 0-10) |

IOLITE SERIES - 2" LED ROUND & SQUARE TRIMS

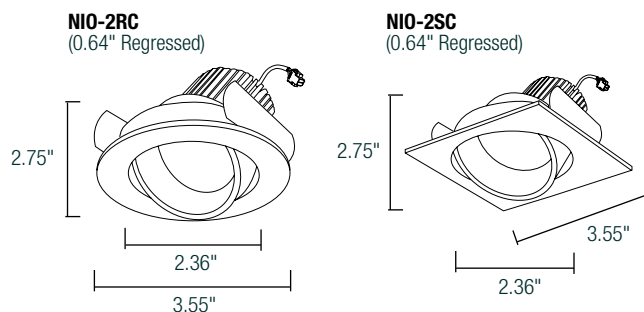
| Catalog No. | Trim Type | Trim Style | Color Temp. | Beam Spread | Finishes |
|------------------------------|-------------------------|--------------------|-------------|-----------------|-----------------------------|
| NIO-2 | R = Round S = Square | G = Surface Gimbal | 27 = 2700K | X = 25°/38°/60° | WW = White, White |
| | | C = Cone Regress | 30 = 3000K | | MPW = Mat Powder White |
| | | | 40 = 4000K | | NN = Nat. Metal, Nat. Metal |
| Finishes (Only Cone Regress) | | | | | |
| HW = Haze White | | | | | |
| BW = Black, White | | | | | |

DIMENSIONS:

SURFACE 30° ADJUSTABLE



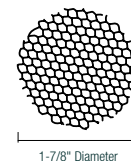
REGRESSED 30° ADJUSTABLE



ACCESSORIES

- NIO-HC: HEX CELL LOUVER FOR 2" & 4" IOLITE
- NIO-REFL15: 15 Degree Reflector - Narrow Spot (OPTIONAL)
- NIO-REFL25: 25 Degree Reflector - Spot (INCLUDED)
- NIO-REFL40: 38 Degree reflector - Narrow Flood (INCLUDED)
- NIO-REFL60: 60 Degree Reflector - Flood (INCLUDED)
- NIO-REFL15FR: 15° Reflector w/ Frosted Lens for 2" & 4" Iolite
- NIO-REFL25FR: 25° Reflector w/ Frosted Lens for 2" & 4" Iolite
- NIO-REFL38FR: 38° Reflector w/ Frosted Lens for 2" & 4" Iolite
- NIO-REFL60FR: 60° Reflector w/ Frosted Lens for 2" & 4" Iolite
- NIO-AS14BLK: IOLITE 2&4" SNOOT 15MM-5/8" BLACK
- NIO-AS14WH: IOLITE 2&4" SNOOT 15MM-5/8" WHITE
- NIO-AS14FR: IOLITE 2&4" SNOOT 15MM-5/8" FROST
- NIO-AS19BLK: IOLITE 2&4" SNOOT 19MM-3/4" BLACK
- NIO-AS19WH: IOLITE 2&4" SNOOT 19MM-3/4" WHITE
- NIO-AS19FR: IOLITE 2&4" SNOOT 19MM-3/4" FROST
- NIO-AS26BLK: IOLITE 2&4" SNOOT 24MM-1" BLACK
- NIO-AS26WH: IOLITE 2&4" SNOOT 24MM-1" WHITE
- NIO-AS26FR: IOLITE 2&4" SNOOT 24MM-1" FROST

NIO-HC for 2" & 4"



COMPATIBLE PATENT PENDING HOUSINGS

NIO series is compatible with IC Air-Tight LED Iolite Series Dedicated housings listed below. The housing is cULus listed for direct contact with insulation and meets ASTM E283 standards for Air Tight. Bar hangers are adjustable from 13 5/8" to 24 1/2". Bar hangers are slotted for T-Bar installation and includes alignment feet.

LABELS AND LISTINGS

Title 24 Compliant
 cULus for Wet Location
 Energy Star



Example: NIO-2RG27XWW = Iolite 2" Round Surface Gimbal 27K w/ 25°/38°/60° Reflectors, White Finish (Requires NHIOICD-28 Series Housing)