

6" Super Sloped Ceiling LED Baffle Inserts - EL763/764 Series

Sloped Ceiling LED inserts feature an integral gimbal for $\pm 25^\circ$ adjustability. Compatible with most incandescent and electronic low voltage dimmers.



Features

- Sloped Ceiling LED Inserts feature an integral gimbal for $\pm 25^\circ$ adjustability.
- Compatible with most incandescent and electronic low voltage dimmers.
- ENERGY STAR® Certified. California Title 24 (JA8-2016-E).
- Life Span: 50,000 hours L70.

Specifications

Wattage	15W - 18W
Lumens	1050 lm - 1200 lm
Voltage	120V
Color Temp.	2700K - 3000K
Dimmable	Triac/ELV
Lamp Type	LED
CRI	90+
Damp Location	Listed

Options



All White



Black w/White Ring



All Bronze

Technical Details

Optics: LED light engine has frosted polycarbonate lens with reflector to diffuse light evenly while reducing glare.

Construction: Deep baffle trim with torsion springs to be held into the housing. High quality powder coat finish preventing rust and paint cracking on metal parts. Integral gimbal allows for 25° adjustability to match slope.

Installation: Designed to install into ELCO 6" Super Sloped ceiling housing with torsion springs brackets. For retrofitting other manufacturers sloped ceiling cans always test the product to ensure proper fit and function.

Electrical:

- Driver connects to 120VAC power supply.
- High efficiency, high power factor > 0.9 driver.

LED Technology:

- Accurate color rendering with 90+ CRI.
- Lumen Maintenance of 50,000 hours L70 Life based on LM80 standardized test results.
- Superior Thermal Management by utilizing aluminum diecast heat sink.

Housings: Compatible with EL971ICA, EL971RICA.

Dimmability:

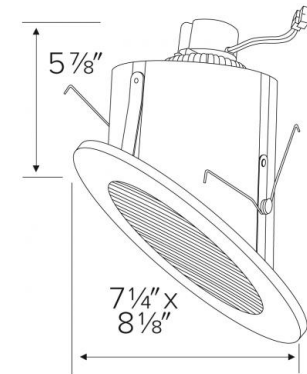
- Dimmable with most standard TRIAC and ELV type dimmers.
- Dimming range of 100% down to 10%. Dimming range may vary depending on dimmer model.
- For full list of dimmers refer to the Dimmer Compatibility List.

Listings:

- UL Listed for Damp Location.
- ENERGY STAR® Certified.
- California Title 24 (JA8-2016-E).

Warranty: ELCO Products are built to last. 5-year Limited warranty.

Dimensions



Product Numbers

Item	Lamp type	Lumens	CCT	Watts	Voltage	Dimming	Finish
EL76327B	LED	1050 lm	2700K	15W	120V	Triac/ELV	Black w/White Ring
EL76330B	LED	1050 lm	3000K	15W	120V	Triac/ELV	Black w/White Ring
EL76427B	LED	1200 lm	2700K	18W	120V	Triac/ELV	Black w/White Ring
EL76430B	LED	1200 lm	3000K	18W	120V	Triac/ELV	Black w/White Ring
EL76327BZ	LED	1050 lm	2700K	15W	120V	Triac/ELV	All Bronze
EL76330BZ	LED	1050 lm	3000K	15W	120V	Triac/ELV	All Bronze
EL76427BZ	LED	1200 lm	2700K	18W	120V	Triac/ELV	All Bronze

Item	Lamp type	Lumens	CCT	Watts	Voltage	Dimming	Finish
EL76430BZ	LED	1200 lm	3000K	18W	120V	Triac/ELV	All Bronze
EL76327W	LED	1050 lm	2700K	15W	120V	Triac/ELV	All White
EL76330W	LED	1050 lm	3000K	15W	120V	Triac/ELV	All White
EL76427W	LED	1200 lm	2700K	18W	120V	Triac/ELV	All White
EL76430W	LED	1200 lm	3000K	18W	120V	Triac/ELV	All White

Product Number Builder Example: **EL76327B**

ELCO 6" Baffle Insert	Wattage	Color Temp.	Finish
EL76	3 15W 4 18W	27 2700K 30 3000K	W White B Black BZ Bronze