

# EL44130W

4" LED Square Baffle Insert



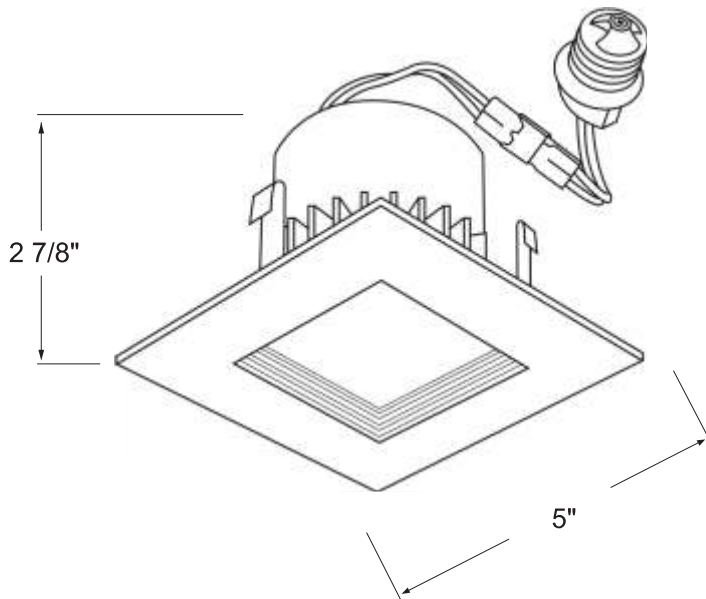
## PROJECT INFORMATION:

Project Name: \_\_\_\_\_

Fixture Type: \_\_\_\_\_

Date: \_\_\_\_\_

## DIMENSIONS



## PRODUCT SPECIFICATIONS

- Suitable for use in fixtures installed in insulated ceilings.
- Suitable for installation in tall and shallow cans.
- Suitable for new construction and remodel housings.
- Suitable for installation into a 4" recessed fixtures with 2-wire connector.
- Suitable for installation into a 4" recessed fixtures with medium base socket, using PSA30 adaptor (included)
- Housing meets restricted air flow requirement (per ASTM E-283).
- CA Title 24 compliant.
- Meets ENERGY STAR requirements.

**Lamp:** LED array chip CRI 90

**EL44130W:** 10W, 3000°K, 700 lm, 90° beam angle

**LED Driver:** 120V AC, dimmable

**Life-span:** 50,000 hours

**Labels:** U.L. listed for wet locations

**Warranty:** 5 years limited

## CATALOG NUMBER

Example: EL44130W