

## PRODUCT SPECIFICATIONS



4" application shown

- Maximum installation compatibility
- Easy, tool-free installation, including Twist & Lock trim feature
- 750 & 1000 lumen outputs
- 2700K, 3000K, 3500K, 4000K CCT
- Flicker-free TRIAC/ELV dimming standard, 0-10V or Lutron Hi-lume 1% dimming available
- 50,000 hr lifetime at 70% lumen maintenance
- 5 year limited warranty



### Frame-in Kit

**HOUSING:** Die-formed steel with powder coat finish (4" frame-in kit, 4" shallow frame-in kit), 20 ga. die-formed aluminum (5" frame-in kit), 22 ga. die-formed aluminum (6" frame-in kit, 6" shallow frame-in kit).

**JUNCTION BOX:** Galvanized steel. Equipped with (6) 1/2" and (1) 3/4" knockouts with pryout slots to allow straight conduit runs (4" frame-in kit, 4" shallow frame-in kit), equipped with (5) 1/2" and (2) 3/4" knockouts with pryout slots to allow straight conduit runs (5" frame-in kit, 6" frame-in kit, 6" shallow frame-in kit). (4) knockouts for non-metallic sheathed cable installation. Junction box tension spring allows snap-in installation of plate cover for easy access to wiring. Approved for 8 (four-in, four-out) #12 AWG 90 through wire conductors.

**MOUNTING:** (4) tempered steel spring clips secure housing to ceiling.

**CEILING:** 1/2" up to 1".

**CUTOUT:** 4 3/16" (4" frame-in kit, 4" shallow frame-in kit), 5 5/8" (5" frame-in kit), 6 3/8" (6" frame-in kit, 6" shallow frame-in kit).

### Light Engine

**LED:** Tightly binned, high performing white Cree® LED.

**LUMEN OUTPUT (POWER):** 750 lm (11.8W), 1000 lm (14.7W).

**CRI:** 93+.

**CCT:** 2700K, 3000K, 3500K, 4000K.

**BINNING:** Color variation within 2-step MacAdam ellipse.

**CONNECTOR:** IDEAL PowerPlug® Luminaire Disconnect, female. Alternate module construction with 0-10V or Lutron Hi-lume 1% dimming and/or Emergency Battery Backup Unit uses IDEAL PowerPlug® Model 102.

**DRIVER:** Integral electronic driver for 120/277V 50/60Hz operation. Electronic driver compatible with forward and reverse phase-control dimming at 120V only.

**DIMMING:** TRIAC/ELV for 120V only with flicker-free dimming down to 5% of total lumen output standard. Optional 0-10V, Lutron® Hi-lume® 1% EcoSystem™ with Soft-on, Fade-to-Black™ or Lutron Hi-lume 1% 3-wire LED dimming available for 120/277V.

**LIFETIME:** 50,000 hours at 70% lumen maintenance.

**PHOTOMETRIC TESTING:** Tested in accordance to IESNA LM-79-2008.

**LISTINGS:** IC rated. cULus Listed. ENERGY STAR® qualified. Title 24 compliant. ASTM E283 certified Air Tight. UL Listed for Wet Location. CEC listed.

**WARRANTY:** 5 year limited warranty.

### Trim

**CONSTRUCTION:** Die-cast aluminum. Twist & Lock mounting allows easy tool-free field installation and tight ceiling fit.

Product Code:	Type:	
Project:	Contact:	Date:



### PRODUCT SELECTION GUIDE

#### FRAME-IN KIT

Product Code Example: **DRDHNIC4**

PRODUCT CODE	APPLICATION	IC/NON-IC	APERTURE	DIMMING OPTION
<b>DRDH</b> Housing	<b>R</b> Remodel	<b>IC</b> Insulation Contact	<b>4</b> 4" Aperture	<b>[Blank]</b> TRIAC Dimming (Standard)
			<b>4S</b> 4" Shallow Not compatible with Lutron Hi-lume 1% dimming	<b>70</b> 0-10V Dimming, 750 lm <b>100</b> 0-10V Dimming, 1000 lm
			<b>5</b> 5" Aperture	<b>7C</b> Lutron LDE1 <sup>1</sup> Dimming, 750 lm <b>10C</b> Lutron LDE1 <sup>1</sup> Dimming, 1000 lm
			<b>6</b> 6" Aperture	<b>7W</b> Lutron L3DA3W <sup>2</sup> Dimming, 750 lm
			<b>6S</b> 6" Shallow	<b>10W</b> Lutron L3DA3W <sup>2</sup> Dimming, 1000 lm

#### LIGHT ENGINE

Product Code Example: **DRD2M7927**

PRODUCT CODE	LUMENS (WATTS)	CRI	CCT	OPTION
<b>DRD2M</b> Module	<b>7</b> 750 lm (11.8W)	<b>9</b> 93+ CRI	<b>27</b> 2700K	<b>[Blank]</b> None
	<b>10</b> 1000 lm (14.7W)		<b>30</b> 3000K <b>35</b> 3500K <b>40</b> 4000K	<b>A</b> Alternate Construction Uses an IDEAL Model 102 connector for alternate dimming option compatibility; Must be selected if alternate dimming option is selected for frame-in kit

#### TRIM

Product Code Example: **DRD2TR4SWH**

PRODUCT CODE	SHAPE	APERTURE	STYLE	FINISH	OPTION
<b>DRD2T</b> Trim	<b>R</b> Round	<b>4</b> 4" Aperture	<b>S</b> Smooth	<b>WH</b> White	<b>[Blank]</b> None
	<b>D</b> Deep Only available in 6" aperture; smooth or baffle style; white, low iridescent or custom finish	<b>5</b> 5" Aperture <b>6</b> 6" Aperture	<b>B</b> Baffle <b>W</b> Wall Wash Only available in white finish	<b>BK</b> Black <b>SW</b> Silver Reflector, White Flange <b>AZ</b> Low Iridescent Reflector, White Flange Only available in deep shape <b>CC</b> Custom Color	<b>DF</b> Dead Front Only available in round shape; 4" aperture; smooth style; Compatible with 750 lm light engine only

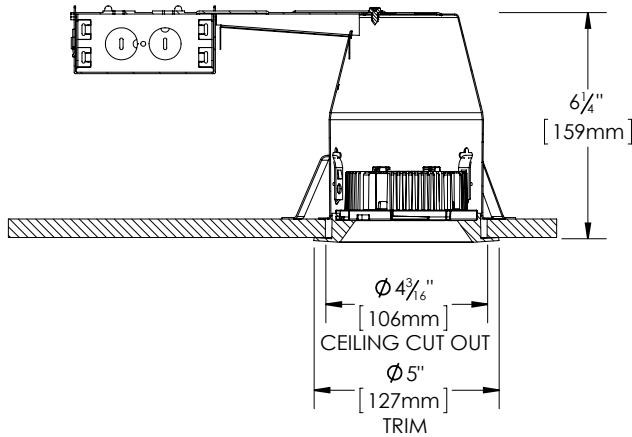
<sup>1</sup> Lutron LDE1 Dimming refers to Lutron Hi-lume 1% EcoSystem LED driver with Soft-on, Fade-to-Black

<sup>2</sup> Lutron L3DAE Dimming refers to Lutron Hi-lume 1% 3-wire LED driver

## FRAME-IN KIT DIMENSIONS

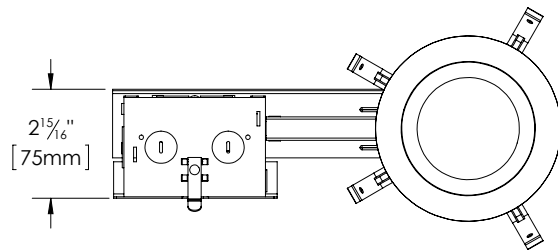
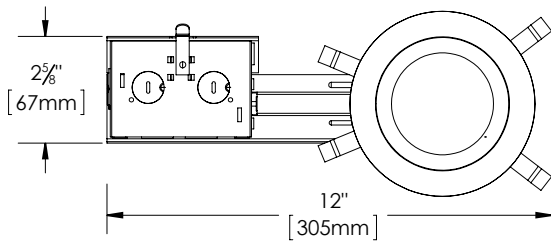
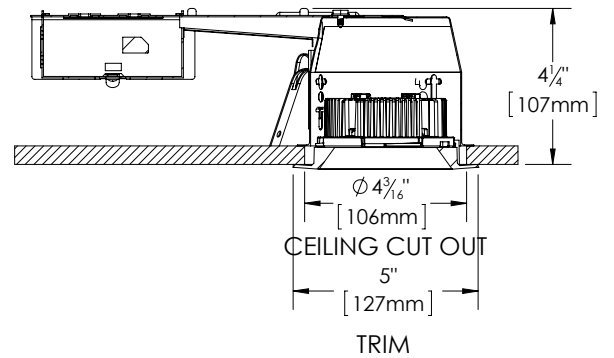
### DRDHRIC4

4" Remodel IC Frame-in Kit



### DRDHRIC4S

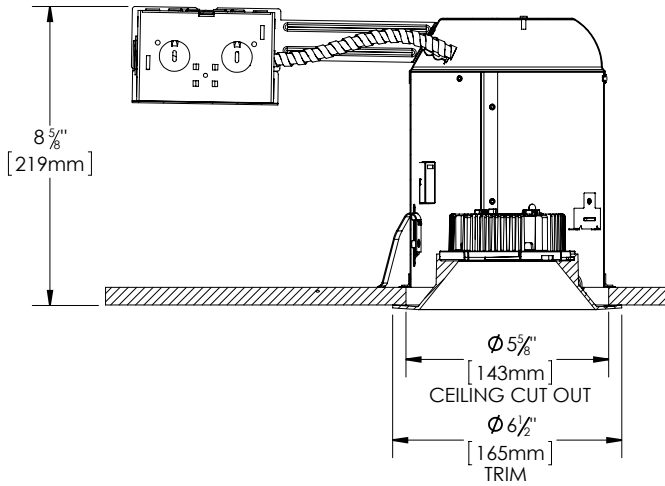
4" Shallow Remodel IC Frame-in Kit



## FRAME-IN KIT DIMENSIONS

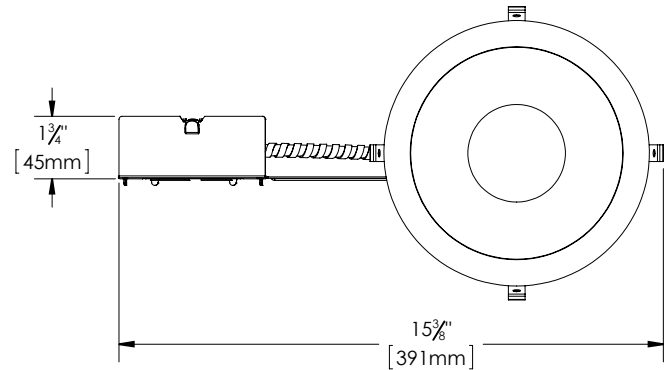
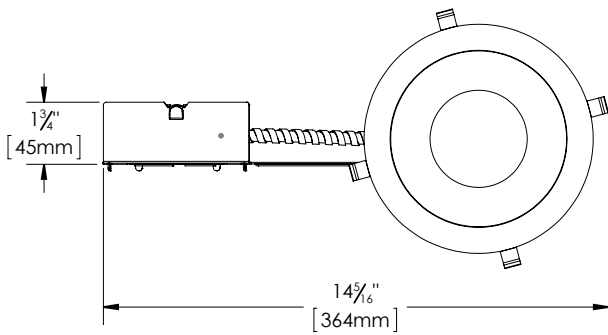
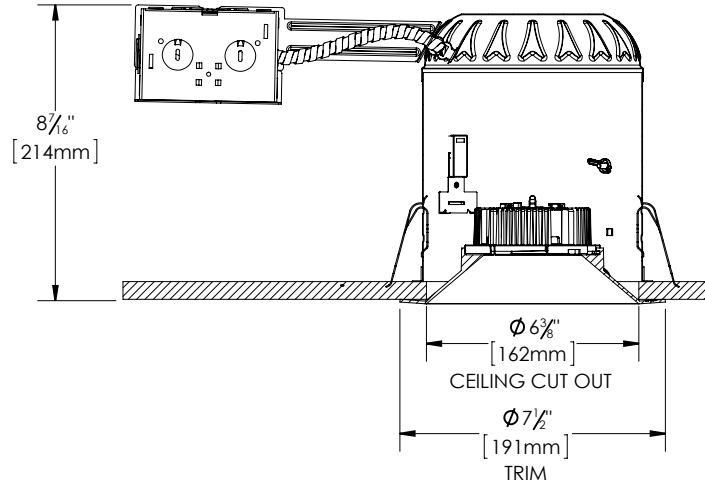
### DRDHRC5

#### 5" Remodel IC Frame-in Kit



### DRDHRC6

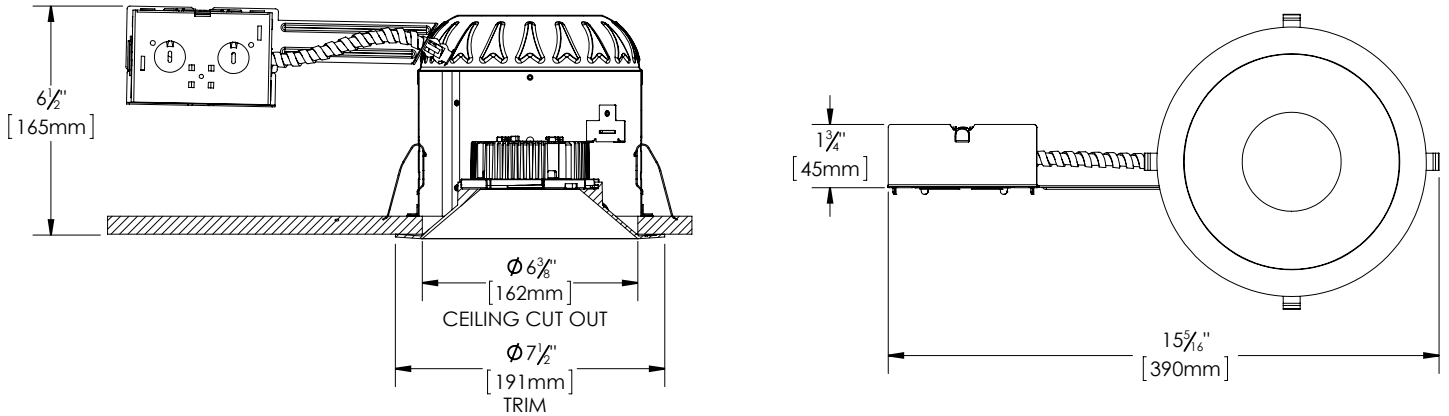
#### 6" Remodel IC Frame-in Kit



## FRAME-IN KIT DIMENSIONS

### DRDHRIC6S

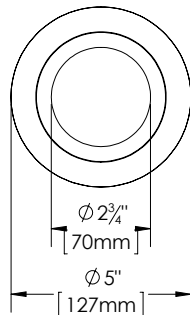
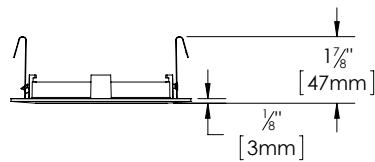
#### 6" Shallow Remodel IC Frame-in Kit



## TRIM DIMENSIONS

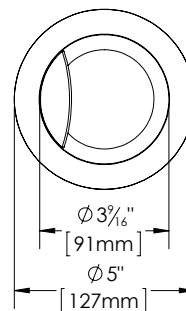
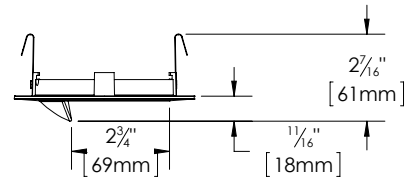
### DRD2TR4

#### 4" Round Trim



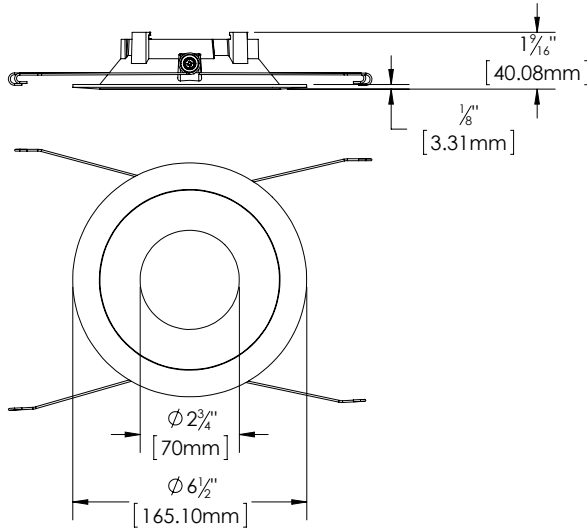
### DRD2TR4W

#### 4" Wall Wash Trim

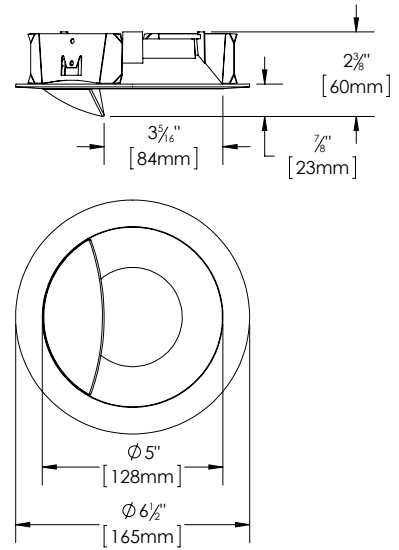


## TRIM DIMENSIONS

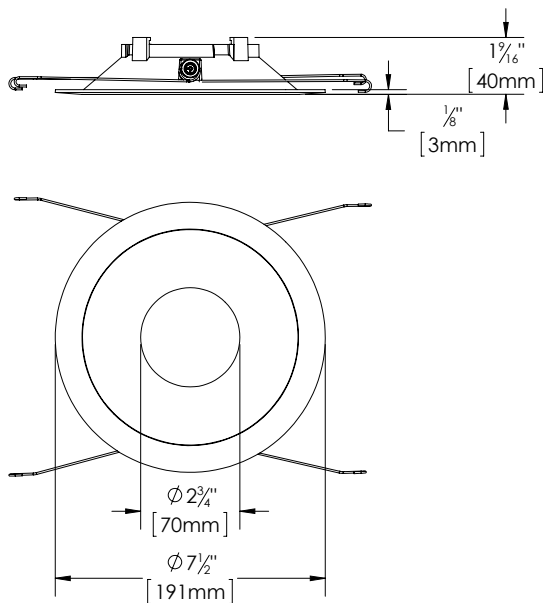
**DRD2TR5**  
5" Round Trim



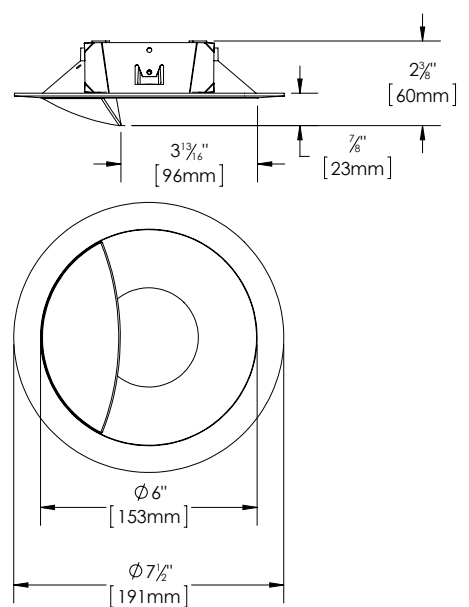
**DRD2TR5W**  
5" Wall Wash Trim



**DRD2TR6**  
6" Round Trim

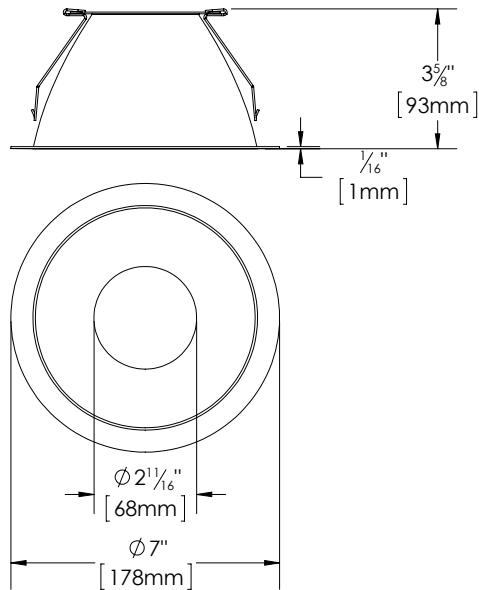


**DRD2TR6W**  
6" Wall Wash Trim



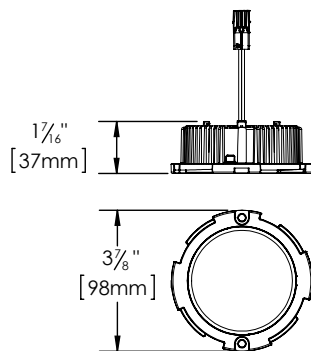
## TRIM DIMENSIONS

**DRD2TD6**  
6" Deep Trim



## LIGHT ENGINE OVERVIEW

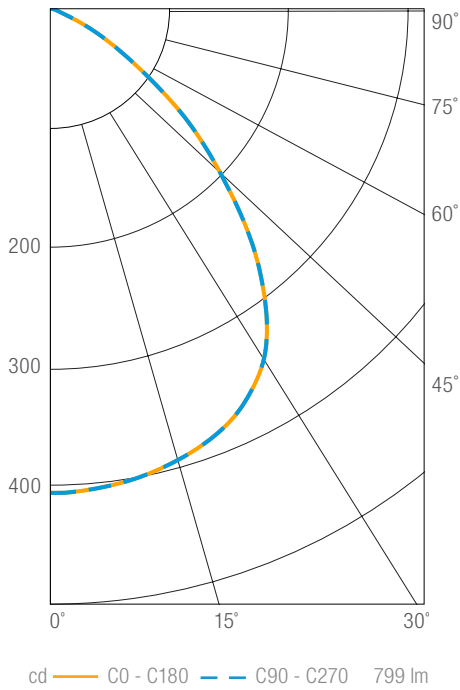
**DRD2M**  
LED Module



	DRD2M7	DRD2M10
Total Module Lumen Output (lm)	750	1000
Total Rated Power (W)	11.8	14.7
Efficacy (lm/W)	64	68
Color Rendering Index	93+	
CCT Options	2700K, 3000K, 3500K, 4000K	
Optics	Flood	
Binning	2-step SDCM	
Lifetime (L70)	50,000 hours	
Max Ambient Operating Temperature	40°C	
Input Voltage (V)	120/277V, 50/60Hz	
Input Current at 120V (Max)	0.10A	0.13A
Input Current at 277V (Max)	0.042A	0.053A
Power Factor	>0.9	
Total Harmonic Distortion	<20%	
Dimming	100% - 5%	

## PHOTOMETRICS

Light Engine: **DRD2M7930** (DRD2 Module, 750 lm, 93 CRI, 3000K)  
Trim: **DRD2TR6SWH** (DRD2 Trim, 6" Aperture, Smooth, White)



Luminous Intensity

Gamma	C 0°
0.0°	406
5.0°	404
10.0°	400
15.0°	394
20.0°	386
25.0°	373
30.0°	351
35.0°	316
40.0°	265
45.0°	208
50.0°	154
55.0°	100
60.0°	55
65.0°	24
70.0°	8
75.0°	4
80.0°	1
85.0°	0
90.0°	0

Values in candela

Zonal Lumen Summary

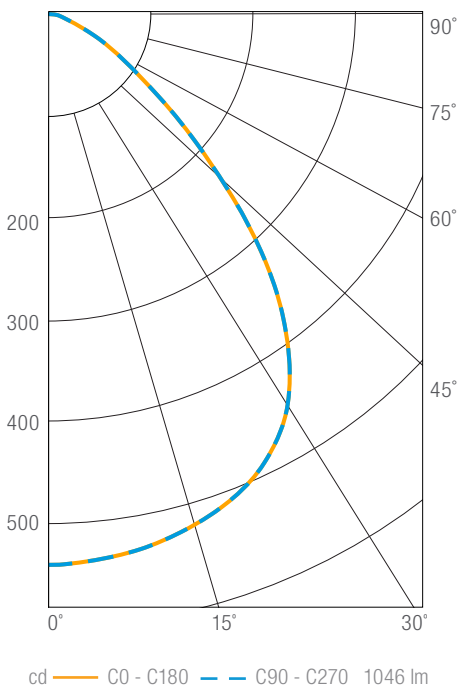
Zone	Lumens	Luminaire %
0-30	321	40
0-40	517	65
0-60	768	96
0-90	799	100
0-180	799	100

Illuminance Chart

Distance from LED	Foot Candles	Diameter
2.5'	65	5.1'
5.0'	16	10.1'
7.5'	7	15.2'
9.0'	5	18.3'

Beam Angle: 90°

Light Engine: **DRD2M10930** (DRD2 Module, 1000 lm, 93 CRI, 3000K)  
Trim: **DRD2TR6SWH** (DRD2 Trim, 6" Aperture, Smooth, White)



Luminous Intensity

Gamma	C 0°
0.0°	540
5.0°	537
10.0°	531
15.0°	523
20.0°	510
25.0°	492
30.0°	461
35.0°	411
40.0°	342
45.0°	256
50.0°	172
55.0°	112
60.0°	74
65.0°	48
70.0°	27
75.0°	12
80.0°	6
85.0°	2
90.0°	0

Values in candela

Zonal Lumen Summary

Zone	Lumens	Luminaire %
0-30	425	41
0-40	679	65
0-60	980	94
0-90	1046	100
0-180	1046	100

Illuminance Chart

Distance from LED	Foot Candles	Diameter
2.5'	86	4.9'
5.0'	22	9.7'
7.5'	10	14.6'
9.0'	7	17.5'

Beam Angle: 90°



**DIMMER COMPATIBILITY****Recommended Phase-control Dimmers** (Dims down to 5% nominal measured light output)

Brand	Series	Model Number	Max Load DRD2M7	Max Load DRD2M10
<b>Control 4</b>	Control 4	C4-APD120	10	9
<b>Cooper</b>	Decorator	DLC03P, DAL06P	25	20
<b>Legrand</b>	Adorne	ADTP703TU	35	30
<b>Lutron</b>	Caseta	PD-6WCL	12	10
	CL Series	AYCL-153, CTCL-153, DVCL-153, LGCL-513, SCL-153, TGCL-513	12	10
	CL Series	AYCL-253, DVCL-253	20	15
	Grafik Eye 3000	QSGR-3P	30	25
	Grafik Sys / Homeworks	RPM-4A	25	20
	Grafik Sys / Homeworks	RPM-4U	30	25
	Maestro CL	MACL-153M, MSCL-OP153M, MSCL-VP153M	12	10
	Maestro Wireless	MRF2-6ELV, MRF2-6CL	12	10

**Compatible Phase-control Dimmers<sup>1</sup>** (Dims down to 20% nominal measured light output)

Brand	Series	Model Number	Max Load DRD2M7	Max Load DRD2M10
<b>Cooper</b>	Slide	SLC03P, SAL06P	25	20
<b>Legrand</b>	Harmony	H703PTU, HCL453P	30	25
<b>Leviton</b>	IllumaTech Slide	IPE04	25	20
	SureSlide	6621, 6674	10	10
<b>Lutron</b>	Diva	DV-600	12	10
	Maestro	MA-600	12	9
	Maestro ELV	MAELV-600, MSCELV-600	35	30
	Maestro Wireless	MRF2-6ND	12	10
	Radio RA	RRD-6NA, RRD-6CL, RRD-6D	12	10
	Power Booster	PHPM-PA, PHPM-WBX	25	20
	Sunrise	SR400RPC120, ZP260QEW	20	15
<b>Watt Stopper</b>	Digital Light Management	LMRC-221	160	150
	Dimming Sensor	PW-100D	14	12

<sup>1</sup> Dimmer compatibility reflects performance compatibility only. Please reference your local codes for application.