

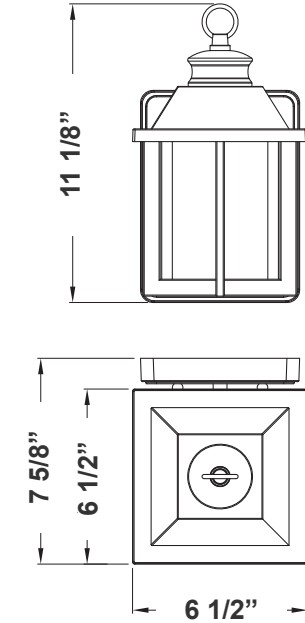
LRS SERIES Outdoor Lighting

LRS-ML-MCT-P-BK
8" MINI SQUARE LANTERN W/ PHOTOCELL
MCT SEEDED GLASS WALL SCNCES

Customer Name: _____

Project Name: _____

Note: _____ Type: _____



12"(W) x 5 1/2"(H) x 3"(D)
Back Plate Dimensions: 7" x 4.5"

LED Seaside Outdoor Wall Lantern with Wire guard with aluminum housing & powder-coated finish, acrylic diffuser. Ideal for general site lighting, residential buildings, doorway, pathway and parking areas.

Features

- Aluminum Housing and Steel Back Plate
- Frosted Glass Lens
- 7-Year Warranty
- Multi CCT Switch is Inside Fixture

Technical Specifications

Electrical:

- Voltage: 120V AC 60Hz
- Wattage: 12W
- Power Factor: >0.90
- Efficacy: 65 LPW

Mechanical:

- Aluminum Housing and Steel Back Plate
- Frosted Glass Lens
- Operating Temperature: -4°F to 104°F
- Wet Location
- 7-Year Warranty
- IP42, Suitable for outdoor use

Lighting:

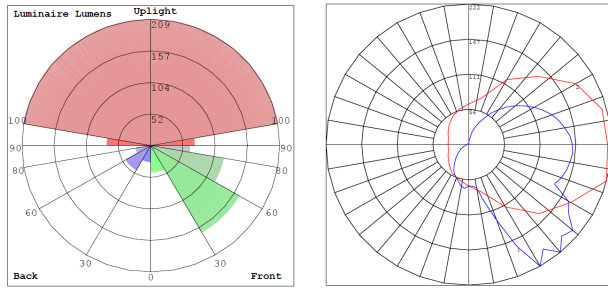
- Total Lumens: 650LM
- Color Temperatures: 3000K/4000K/5000K
- Color Rendering Index: CRI ≥ 80
- Beam Angle: 90° x 110°
- Rated life: 70,000 Hrs

Applications:

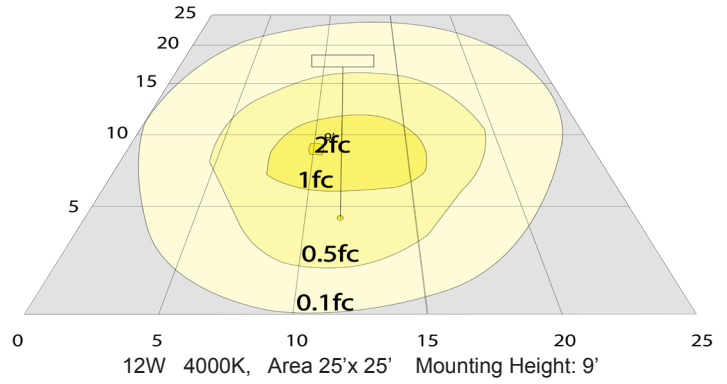
- LED Seaside Outdoor Wall Lantern with Wire guard with aluminum housing & powder-coated finish, acrylic diffuser. Ideal for general site lighting, residential buildings, doorway, pathway and parking areas.



Photometrics: LRS-ML-MCT-P-BK



BUD Rating: B0-U3-G1



Performance Table: LRS-ML-MCT-P-BK

MODEL NO.	Wattage	Voltage	Lumens	Color Temp.	BUG Rating	LPW
LRS-ML-MCT-P-BK	12W	120V	650LM	3000K 4000K 5000K	B0-U3-G1	54

Sample Ordering

Model	Color Temp.	Housing
LRS - ML - MCT - BK		

