

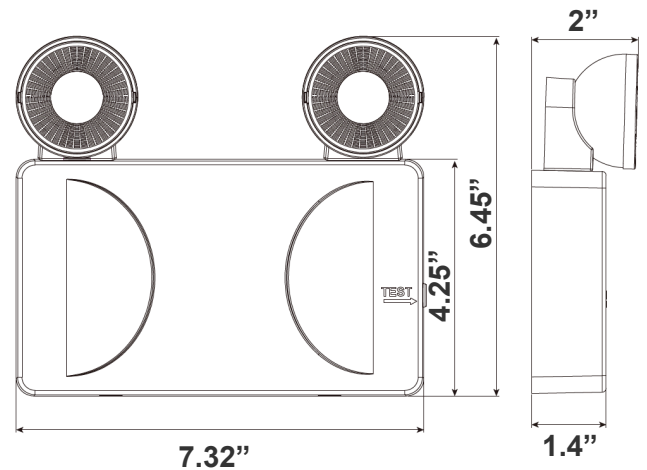
EL SERIES Exit & Emergency Lighting

EL-MT-HO
MODERN MINI BUG-EYE EMERGENCY LIGHTS

WESTGATE
THE FUTURE IS HERE...AND IT'S QUITE BRIGHT!



Customer Name: _____
Project Name: _____
Note: _____ | Type: _____



Intelligent safety meets sophisticated design. Featuring smart IC control, built-in self-test functionality, and a versatile twin-spot configuration, this all-in-one solution includes interchangeable open-area and corridor lenses. Flexible wall or ceiling mounting options ensure easy integration, while the EPU-EM2 delivers elegant aesthetics with exceptional reliability.

6.45”(H) x 7.32”(W) x 2”(D)

Features

- Round lens and oval Lens optional
- Self-Contained for 90 Minute Emergency Backup
- LED Indicator Light and Test Switch
- 3-Year Warranty
- Two Adjustable LED Lamp Heads

Technical Specifications

Electrical:

- Voltage: 120-277V AC, 50/60Hz
- Power Factor: >0.90
- Wattage: 1.5W(2)
- Efficacy: 83LPW

Mechanical:

- Mounting: Surface Mount
- The head provides approximately 90° of vertical tilt (from straight out to straight down)
- The head provides approximately 350° horizontal rotation around the mounting axis
- Universal J-Box Mounting Pattern
- Maximum 24 Hours for Full Recharge Time
- Test Switch and Charge Indicator
- Operating Temperature: 32° to 122°F
- Rated life: 90-Minute Rated
- White Finish
- IP 20, Indoor Use Only

Lighting:

- Two Fully Adjustable 1.5 Watt LED Lamp Heads for Safe Egress
- Total Lumens: 250LM
- Color Temperatures: 5700K
- Built-in 3.6V 1000mAh Ni-MH Battery for Minimum 90 Minutes Emergency Operation

Applications:

- Emergency lighting is designed to provide sufficient illumination in the event of a mains power failure. Modern emergency lighting is installed in virtually every commercial and high occupancy residential building. Most building codes require that they be installed in older buildings as well.

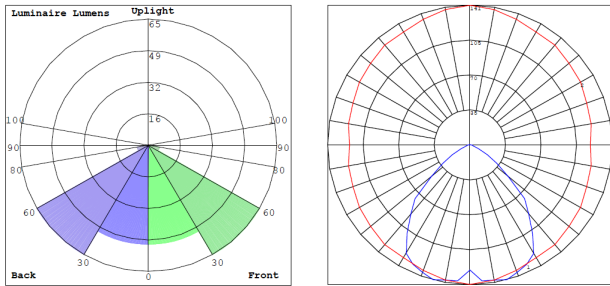


Phone: (877) 805-2252 | Fax: (877) 805-2252
www.westgatemfg.com |

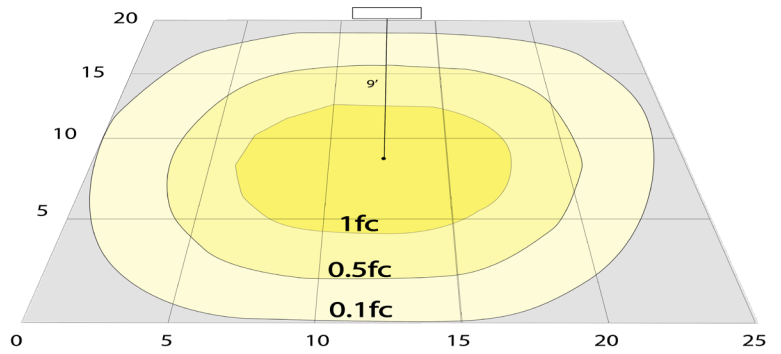


WG-Z7-Z6-Z2

Photometrics: EL-MT-HO



BUG Rating: B0-U1-G0



Simulation Based on 5000K Area 20'x 25' Mounting Height: 9'

Other Views:

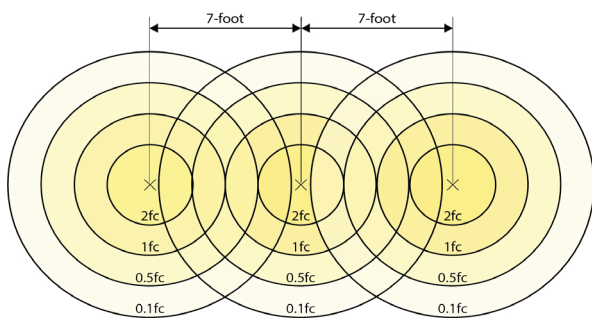


Side View



Front View

Maximum Required Spacing:



Mounting Height: 9'

The emergency lighting system must be arranged to provide initial illumination of at least 1 ft-candle average and a 0.1 ft-candle minimum at any point measured along the path of egress at floor level

Maximum required distance between each EL-M1 emergency lights is 7 foot if they are mounted at 9 foot high.

The required spacing varies depending on the mounting height

Performance Table: EL-MT-HO

MODEL NO.	Wattage	Voltage	Lumens	Color Temp.	BUG Rating	LPW
EL-MT-HO	1.5W Per Head	120/277V	250LM	5700K	B0-U1-G0	83

Sample Ordering

Model Style

EL-MT - HO

