

VTA SERIES

OUTDOOR LIGHTS

WESTGATE

THE FUTURE IS HERE...AND IT'S QUITE BRIGHT!

VTA-12-20W-RGBWW-P

HIGH-OUTPUT DUAL-SELECTABLE VAPOR-TIGHT WITH ADJ. ANGLE

Customer Name: _____

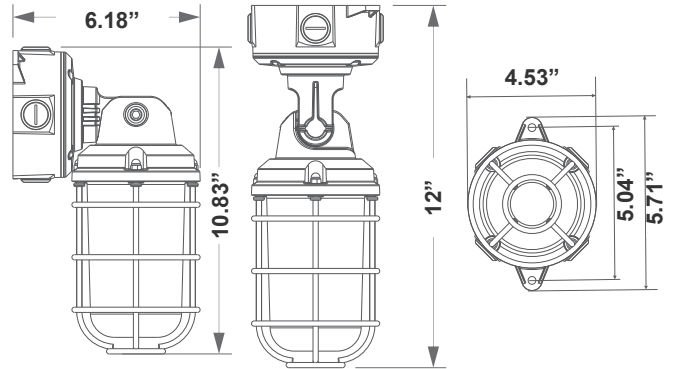
Project Name: _____

Note: _____

Type: _____



FIXTURE ADJUSTS A FULL 90°



12\"/>

Illuminate your space with precision using our High-Output Dual-Selectable Vapor-Tight Fixture with Adjustable Angle. This versatile lighting solution offers exceptional brightness and flexibility, allowing you to tailor the illumination to your exact needs. With dual-selectable color temperature options and an adjustable angle feature, it's perfect for a wide range of industrial and commercial applications. Experience powerful lighting performance and durability with Westgate Mfg.

Features

- Lens: PC Lens
- Aluminum Alloy Housing
- Aluminum Alloy Housing
- 7-year warranty

Technical Specifications

Electrical:

- Voltage: 120-277V AC 60Hz
- Wattage: 12W/16W/20W
- Power Factor: >0.9
- THD: ≤20%
- Efficacy: 110LM/W
- Bluetooth Connection Range: Approximately 30 feet(10 meters). Maximum Communication Range Will Vary Depending On Obstacles (Person, Metal, Wall, etc.) Or Electromagnetic Environment.

Mechanical:

- 180° Adjustable Arm
- Aluminum Alloy Housing
- Four 1/2" KO on the Junction Box
- Gray Finish
- Operating Temperature: -40°F to 113°F
- IP Rating: IP66, Suitable for Wet Locations
- 7-year Warranty

Lighting:

- Lens: PC Lens
- Total lumens: 2000LM Max.
- Color Temperatures: RGBWW
- Color Rendering Index: CRI >90
- Beam Angle: 90°-180° Adjustable
- Rated Life: 70,000 Hrs

Applications:

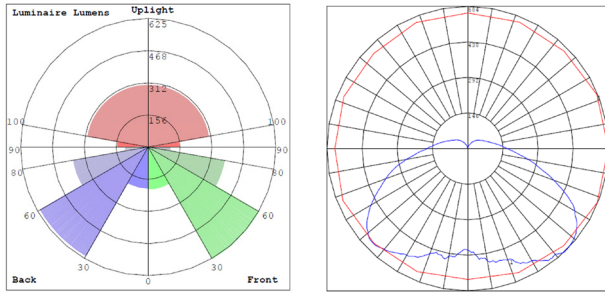
- Industrial Facilities, Food Processing Plants, Outdoor Spaces, Commercial Kitchens, Car Wash Facilities, Cold Storage Facilities, Retail Spaces, Parking Garages.



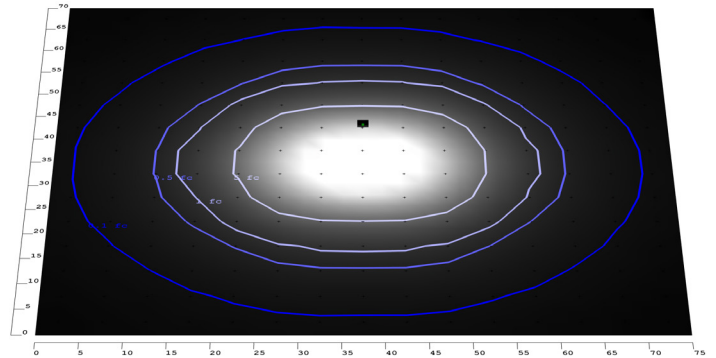
Phone: (877) 805-2252 | Fax: (877) 805-2252
www.westgatemfg.com |



Photometrics: VTA-12-20W-RGBWW-P

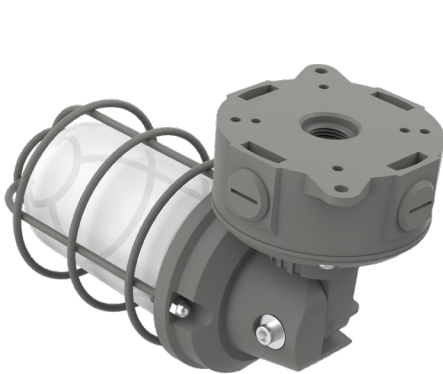


BUG Rating: B1-U3-G2

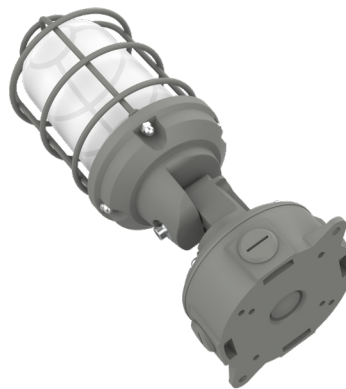


30W 5000K, Area 70'x 75' Mounting Height: 9'

Other Views:



Side View



Front View



Back View

Performance Table: VTA-12-20W-RGBWW-P

MODEL NO.	Wattage	Voltage	Lumens	Color Temp.	BUG Rating	LPW
VTA-12-20W-RGBWW-P	12W 16W 20W	120~277V	1200LM 1600LM 2000LM	RGBWW	B1-U3-G2	100

Sample Ordering

Model	Watt	Watt	Color Temp.	Photocell				
VTA	-	12	-	20W	-	RGBWW	-	P

Factory Installed Options:

Blank = No Option For Accessories
 OPT-EM-VTU = INTERNAL EMERGENCY BACKUP BATTERY
 OPT-PC-B = PHOTOCELL
 OPT-CLR-85CBK/GR/SR/WHJ = COLOR PAINTS
 OPT-SEN-3MRLV-5 = PROGRAMMABLE MICROWAVE BI-LEVEL
 WEC-8RC = OPTIONAL REMOTE CONTROL FOR MOTION SENSOR

FACTORY INSTALL OPTIONS:



OPT-EM-VTU



OPT-PC-B



OPT-SEN-3MRLV-5



WEC-8RC

