

# EL SERIES Exit & Emergency Lighting

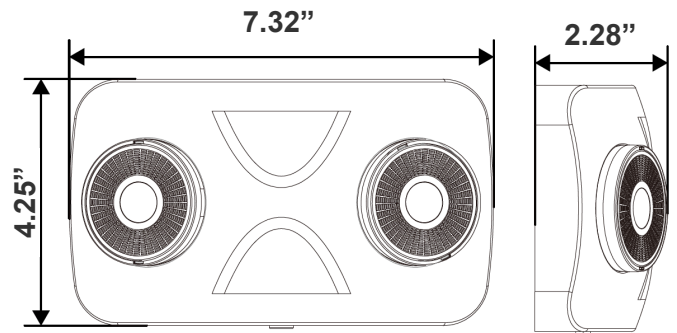
EL-M5

EL-M5-BK

MODERN MINI EMERGENCY LIGHTS



Customer Name: \_\_\_\_\_  
Project Name: \_\_\_\_\_  
Note: \_\_\_\_\_ | Type: \_\_\_\_\_



4.25"(H) x 7.32"(W) x 2.28"(D)

Intelligent safety meets sophisticated design. Featuring smart IC control, built-in self-test functionality, and a versatile twin-spot configuration, this all-in-one solution includes interchangeable open-area and corridor lenses. Flexible wall or ceiling mounting options ensure easy integration, while the EPU-EM2 delivers elegant aesthetics with exceptional reliability.

## Features

- Two rotatable LED Lamp Heads
- Round Lens for Open Area; Oval Lens For Escape Route
- IP20 & IP65 (With an IP65 box) Optional
- Ni-cd Battery Optional with 1.5 Hours Duration.
- LED indicator Light and Test Switch

## Technical Specifications

### Electrical:

- Voltage: 120-277V AC, 50/60Hz
- Power Factor: >0.90
- Wattage: 1W(2)
- Efficacy: 75LPW

### Mechanical:

- Mounting: Surface Mount
- The head provides approximately 90° of vertical tilt (from straight out to straight down)
- The head provides approximately 350° horizontal rotation around the mounting axis
- Universal J-Box Mounting Pattern
- Maximum 24 Hours for Full Recharge Time
- Test Switch and Charge Indicator
- Operating Temperature: 32° to 122°F
- Rated life: 90-Minute Rated
- White Finish
- IP 20, Indoor Use Only

### Lighting:

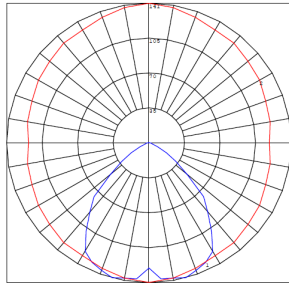
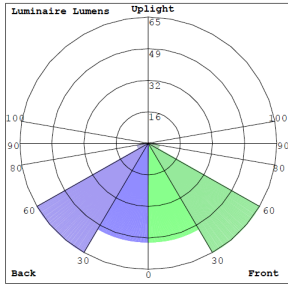
- Two Fully Adjustable 1.5 Watt LED Lamp Heads for Safe Egress
- Total Lumens: 150LM
- Color Temperatures: 5700K
- Built-in 3.6V 1000mAh Ni-MH Battery for Minimum 90 Minutes Emergency Operation

### Applications:

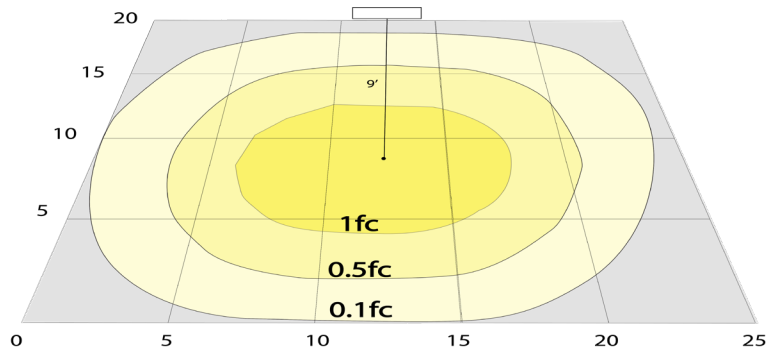
- Emergency lighting is designed to provide sufficient illumination in the event of a mains power failure. Modern emergency lighting is installed in virtually every commercial and high occupancy residential building. Most building codes require that they be installed in older buildings as well.



## Photometrics: EL-M5



BUG Rating: B0-U1-G0



Simulation Based on 5000K Area 20'x 25' Mounting Height: 9'

## Other Views:

White:



Side View



Front View

Black:

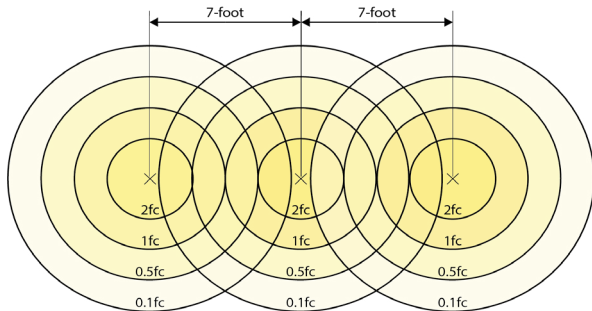


Side View



Front View

## Maximum Required Spacing:



Mounting Height: 9'

The emergency lighting system must be arranged to provide initial illumination of at least 1 ft-candle average and a 0.1 ft-candle minimum at any point measured along the path of egress at floor level

Maximum required distance between each EL-M1 emergency lights is 7 foot if they are mounted at 9 foot high.

The required spacing varies depending on the mounting height

## Performance Table: EL-M5

MODEL NO.	Wattage	Voltage	Lumens	Color Temp.	BUG Rating	LPW
EL-M5 EL-M5-BK	1W Per Head	120/277V	150LM	5700K	B0-U1-G0	75

## Sample Ordering

Model Style Finish

EL - M5 -

Blank = White  
BK = Black

