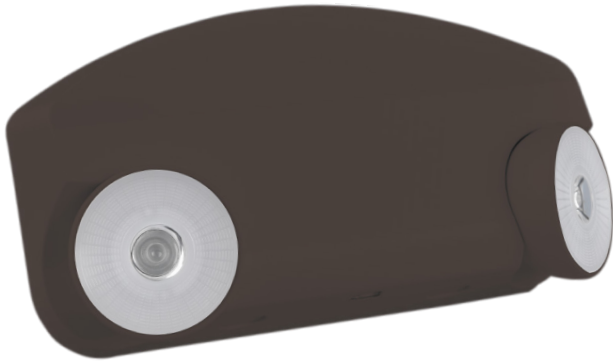


EL SERIES

Exit & Emergency Lighting

EL-M1-BK

WESTGATE
THE FUTURE IS HERE...AND IT'S QUITE BRIGHT!



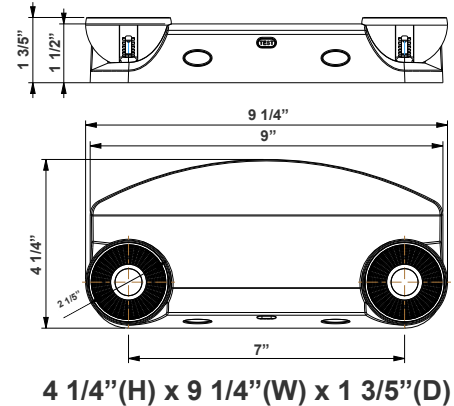
Emergency lighting is designed to provide sufficient illumination in the event of a mains power failure. Modern emergency lighting is installed in virtually every commercial and high occupancy residential building. Most building codes require that they be installed in older buildings as well.

Customer Name: _____

Project Name: _____

Note: _____

Type: _____



Features

- Innovative, Easy Installation in Minutes
- Injection-Molded Thermoplastic ABS Housing, UL 94V-0 Flame Rating.
- 3-Year Warranty
- 2 Ultra Bright LED Lamp Heads for Emergency Mode

Technical Specifications

Electrical:

- Voltage: 120-277V / 50-60Hz
- Power Factor: >0.90
- Wattage: 1.1 W Per Head
- Efficacy: 230 LPW

Mechanical:

- Mounting: wall mounting with KO's in Back Plate
- The head provides approximately 90° of vertical tilt (from straight out to straight down)
- The head provides approximately 350° horizontal rotation around the mounting axis
- Universal J-box Mounting Pattern
- Maximum 24 hours for Full Recharge Time
- Test Switch and Charge Indicator
- Operating temperature: 68-122°F
- Rated life: 90-minute rated
- White Finish
- IP 20, Indoor Use only

Lighting:

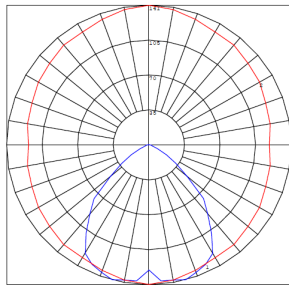
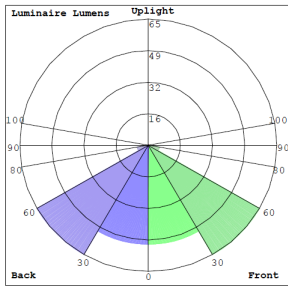
- Two Fully Adjustable 1.1 Watt LED Lamp Heads for Safe Egress
- Total Lumens: 254LM
- Color Temperatures: 5000K
- Built-in 3.6V 1000mAh Ni-MH Battery for Minimum 90 Minutes Emergency Operation

Applications:

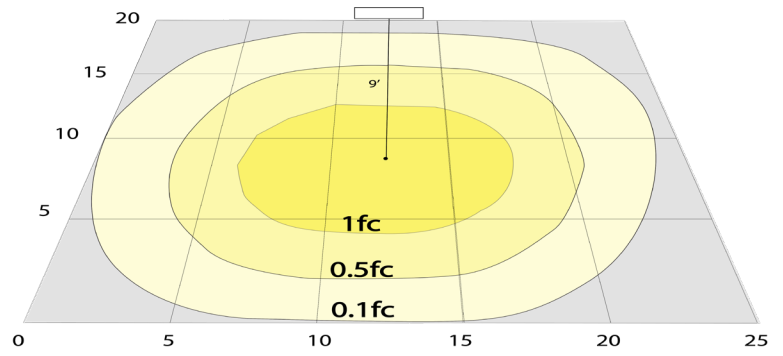
- Emergency lighting is designed to provide sufficient illumination in the event of a mains power failure. Modern emergency lighting is installed in virtually every commercial and high occupancy residential building. Most building codes require that they be installed in older buildings as well.



Photometrics: EL-M1-BK



BUG Rating: B0-U1-G0



Simulation Based on 5000K Area 20'x 25' Mounting Height: 9'

Other Views:



Side View

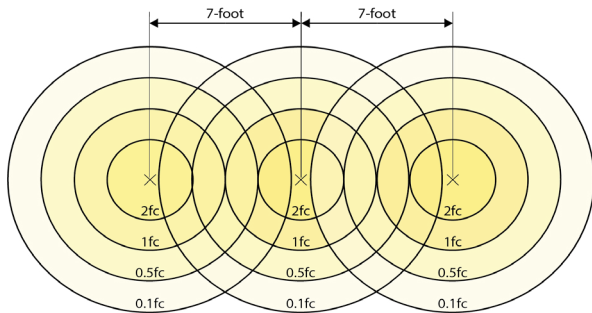


Front View



Back View

Maximum Required Spacing:



Mounting Height: 9'

The emergency lighting system must be arranged to provide initial illumination of at least 1 ft-candle average and a 0.1 ft-candle minimum at any point measured along the path of egress at floor level

Maximum required distance between each EL-M1 emergency lights is 7 foot if they are mounted at 9 foot high.

The required spacing varies depending on the mounting height

Performance Table: EL-M1

MODEL NO.	Wattage	Voltage	Lumens	Color Temp.	BUG Rating	LPW
EL-M1-BK	1.1W Per Head	120/277V	254LM	5000K	B0-U1-G0	230

Sample Ordering

Model Housing

EL-M1 - BK

Other Models:



EL-HO
High-Output Emergency Light



EL-WP
Wet Location Emergency Light

