



Color: Bronze

Weight: 6.6 lbs

<b>Project:</b>	<b>Type:</b>
<b>Prepared By:</b>	<b>Date:</b>

Driver Info		LED Info	
Type	Constant Current	Watts	15W
120V	0.30A	Color Temp	3000K/4000K/5000K
208V	0.20A	Color	80 CRI
240V	0.15A	Accuracy	
277V	0.10A	L70 Lifespan	100,000 Hours
Input Watts	15-29.5W	Lumens	2102-4204 lm
		Efficacy	136.7-152.7 lm/W

**Technical Specifications**

**Field Adjustability**

**Field Adjustable:**

Field Adjustable Light Output:  
29W/20W/15W (factory default 29W)  
Color temperature (selectable by 3000K, 4000K and 5000K)

**Compliance**

**UL Listed:**

Suitable for wet locations

**IESNA LM-79 & LM-80 Testing:**

RAB LED luminaires and LED components have been tested by an independent laboratory in accordance with IESNA LM-79 and LM-80

**IP Rating:**

Ingress protection rating of IP65 for dust and water

**DLC Listed:**

This product is listed by Design Lights Consortium (DLC) as an ultra-efficient premium product that qualifies for the highest tier of rebates from DLC Member Utilities. Designed to meet DLC 5.1 requirements.

DLC Product Code: PLOEPLUEKB8

**Performance**

**Lifespan:**

100,000-Hour LED lifespan based on IES LM-80 results and TM-21 calculations

**Wattage Equivalency:**

29W: 125W Metal Halide  
20W: 100W Metal Halide  
15W: 70W Metal Halide

**LED Characteristics**

**LEDs:**

Long-life, high-efficiency, surface-mount LEDs

**Electrical**

**Dimming Driver:**

Driver includes dimming control wiring for 0-10V dimming systems. Requires separate 0-10V DC dimming circuit. Dims down to 10%.

**Photocell:**

120-277V selectable photocell that can be turned on and off.

**Construction**

**Cold Weather Starting:**

The minimum starting temperature is -40°C (-40°F)

**Maximum Ambient Temperature:**

Suitable for use in up to 50°C (122°F)

**Housing:**

Die-cast aluminum

**Lens:**

Tempered glass

**Technical Specifications (continued)**

**Construction**

**Finish:**

Formulated for high durability and long-lasting color

**Green Technology:**

Mercury and UV free. RoHS-compliant components.

**Other**

**Note:**

All values are typical (tolerance +/- 10%)

**5 Yr Limited Warranty:**

The RAB 5-year, limited warranty covers light output, driver performance and paint finish. RAB's warranty is subject to all terms and conditions found at [rablighting.com/warranty](http://rablighting.com/warranty).

**Buy American Act Compliance:**

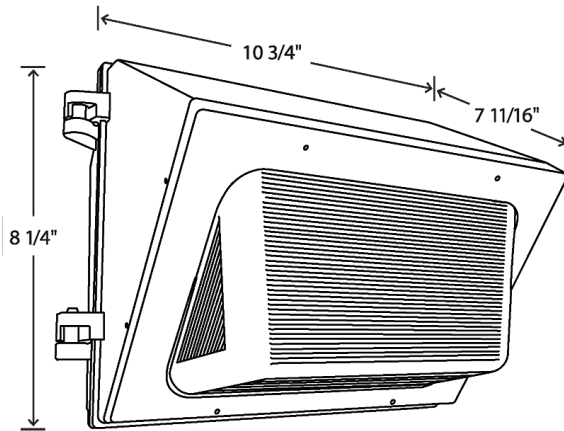
RAB values USA manufacturing! Upon request, RAB may be able to manufacture this product to be compliant with the Buy American Act (BAA). Please contact customer service to request a quote for the product to be made BAA compliant.

**Installation**

**Mounting:**

Wall mount

**Dimensions**



**Features**

- IP65 Rated
- 100,000-Hour LED lifespan
- 5-Year, limited warranty

**Ordering Matrix**

Family	Wattage	Color Temp	Finish	Voltage/Driver	Options
WP1XFU	29				
	29 = 29/20/15W	Blank = 5000K/4000K/3000K	Blank = Bronze	Blank = 120-277V, 0-10V Dimming	Blank = Selectable Photocell /LC = Lightcloud® Controller