

# WALL WASH – 3020W

H/L/J Track Luminaire

# WAC LIGHTING

Responsible Lighting®

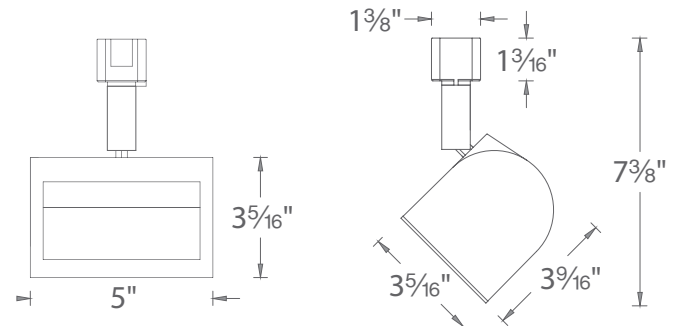


Fixture Type:

Catalog Number:

Project:

Location:



## PRODUCT DESCRIPTION

LED luminaire with optimum light distribution for wall wash application

## FEATURES

- 350° horizontal rotation and 90° vertical aiming
- Integral LED and driver
- 50,000 hour rated life
- 5 year WAC Lighting product warranty

## SPECIFICATIONS

- Construction:** Die-cast aluminum
- Power Consumption:** 20W
- Input:** 120V AC 50/60Hz
- Light Source:** High output LED
- Dimming:** Electronic Low Voltage (ELV) 100% - 5%
- Finish:** Powder coated
- Standards:** UL & cUL Listed, Title 24 JA8-2016 Compliant

## ORDER NUMBER

System	Model	Color Temp	CRI	Lumens	Finish
<b>H</b> H TRACK	<b>3020W</b>	<b>27</b> 2700K	90	885	<b>BK</b> Black <b>WT</b> White
<b>L</b> L TRACK		<b>30</b> 3000K	90	925	
<b>J</b> J/J2 TRACK		<b>35</b> 3500K	90	1030	
		<b>40</b> 4000K	90	1035	

\_\_\_-3020W-\_\_\_-\_\_\_

Example: H-3020W-30-BK

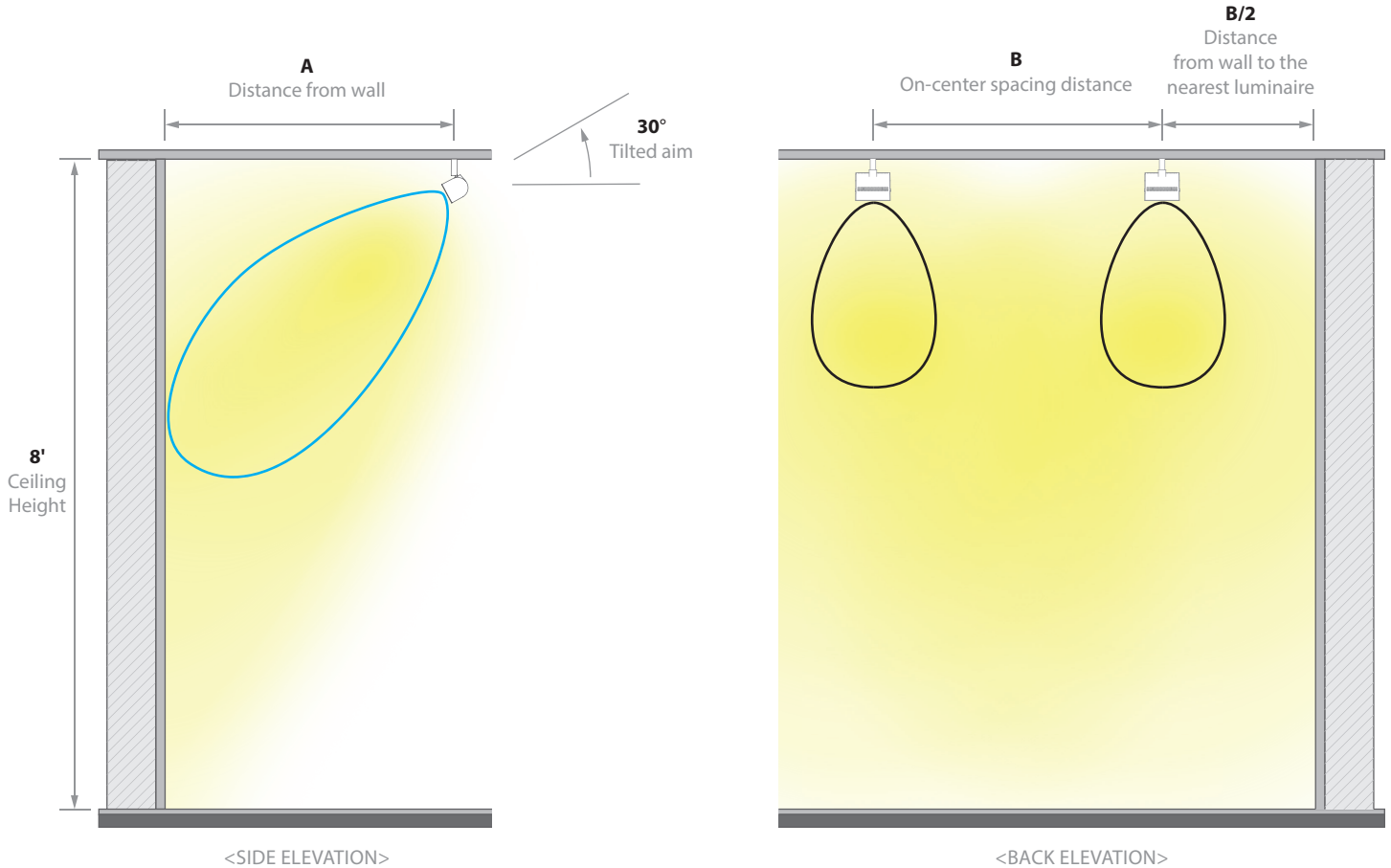
waclighting.com  
Phone (800) 526.2588  
Fax (800) 526.2585

Headquarters/Eastern Distribution Center  
44 Harbor Park Drive  
Port Washington, NY 11050

Central Distribution Center  
1600 Distribution Ct  
Lithia Springs, GA 30122

Western Distribution Center  
1750 Archibald Avenue  
Ontario, CA 91760

## LAYOUT GUIDE

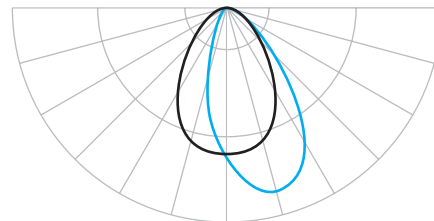


### AVERAGE WALL ILLUMINANCE (3000K fixtures)

		<b>B</b> On-center spacing distance	
		3 feet	5 feet
<b>A</b> Distance from wall	3 feet	31 fc	25 fc
	5 feet	20 fc	16 fc

### PHOTOMETRY

Shown when fixture is aimed towards the ground (nadir)



Results may vary depending on surface properties, ambient light levels, etc.

**WAC Lighting**  
www.waclighting.com  
Phone (800) 526.2588 • Fax (800) 526.2585

**Headquarters/Eastern Distribution Center**  
44 Harbor Park Drive • Port Washington, NY 11050  
Phone (516) 515.5000 • Fax (516) 515.5050

**Western Distribution Center**  
1750 Archibald Avenue • Ontario, CA 91760  
Phone (800) 526.2588 • Fax (800) 526.2585