

Project:	Type:
Prepared By:	Date:

## Technical Specifications

### Performance

#### Product Type:

Emergency Unit

#### Description:

Emergency Thermoplastic Unit with Square Heads

#### Input Power (W):

1.2W

#### Lumens:

200lm

### Electrical

#### Power Factor:

0.4

#### Input Voltage:

120-277V

#### Operating Frequency:

50/60Hz

#### Input Current @ 120V (mA):

15mA

#### Input Current @ 277V (mA):

10mA

#### Maximum Output Wattage:

2W

#### Dual Voltage Circuit Operation:

No

#### Operating Temperature:

32°F to 104°F (0°C to 40°C)

#### Emergency Illumination:

90 minutes

#### Battery Type:

Nickel Cadmium

#### Battery Voltage:

3.6V

#### Recharge Time Required:

24-hours

#### Battery Operating Temperature:

0°F to 40°F (32°C to 104°C)

#### Storage Temperature:

68°F to 86°F (20°C to 30°C)

#### Storage Shelf Life:

3 years before the initial charge. 5 years after initial charge.

#### Self Diagnostics:

No, manual test only

#### Remote Test Switch:

No

### Emergency Backup

#### Battery Backup:

Yes

### Installation

#### Mounting Method:

Back

#### Mounting Type:

Wall

#### Maximum Mounting Height (ft.):

8 ft

#### Spacing Criteria for Emergency Egress :

13 ft on center assuming 7.5 ft mounting height with egress path 3 ft out

#### Cold Weather Rated:

No

### Construction

#### Shape:

Rectangle

#### Housing Material:

Thermoplastic

## Technical Specifications (continued)

**Housing Color:**

White

**Panel Material:**

Thermoplastic

**Remote Capacity:**

No

**No. of Heads:**

2-Lamp Heads

**Head Shape:**

Square

**Remote Head Lumens (lm):**

200m

**Remote Heads Replaceable:**

No

**Compliance**

---

**Listings:**

UL924 Listed

**Environment:**

Suitable for use in dry and damp environments

**IP Rating:**

IP20

**T20 Compliant:**

Can be used to conform with the requirements of California Title 20

**California Title 24 JA8 Compliant:**

No

**California Energy Commission (CEC) Status:**

Lawful for Sales in California

**FCC:**

Complies with Part 15 of the FCC Rules

**Other**

---

**Compatible Products:**

EREMOTE-RTS

Wall Mount Remote Test Button Switch

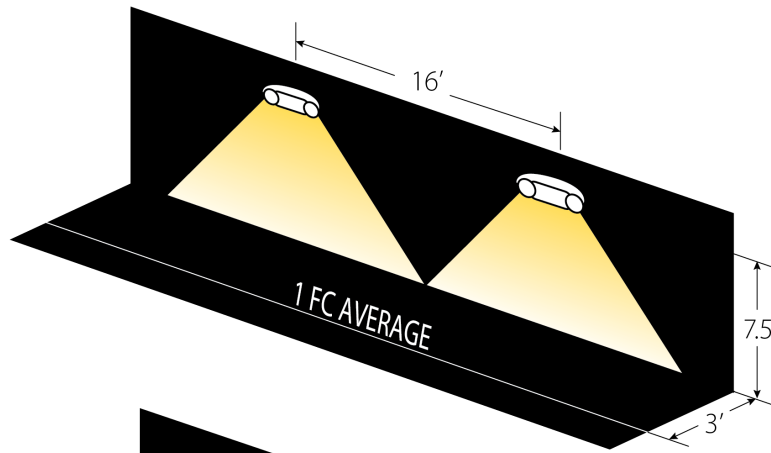
**5-Year, No-Compromise Warranty:**

RAB warrants that our LED products will be free from defects in materials and workmanship for a period of five (5) years from the date of delivery to the end user, including coverage of light output, color stability, driver performance and fixture finish. RAB's warranty is subject to all terms and conditions found at [rablighting.com/warranty](http://rablighting.com/warranty).

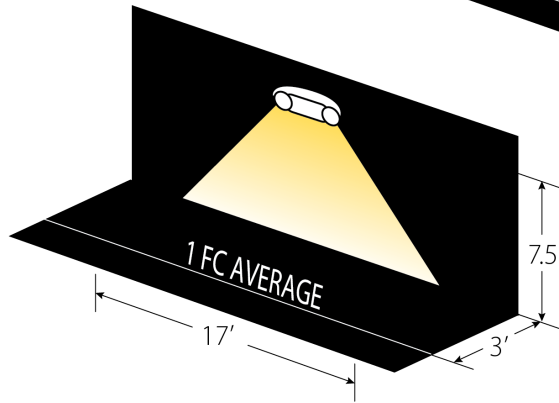
Maximum Spacing Guidelines

Mounting Height	Path of Egress, 3' Out		Path of Egress, 6' Out		Application Notes
	Single Luminaire	Multiple Luminaires	Single Luminaire	Multiple Luminaires	
7.5'	17'	16'	8'	12'	Room Size: 50' L x 8' W x 9' H Direct calculation method used. Reflectances excluded.
	Tilt: 30°	Tilt: 30°	Tilt: 30°	Tilt: 30°	
	Orient: 0°	Orient: 30°	Orient: 0°	Orient: 30°	

NFPA 101 Life Safety Code emergency egress: 1 FC average, 0.1 FC minimum & 40:1 max:min

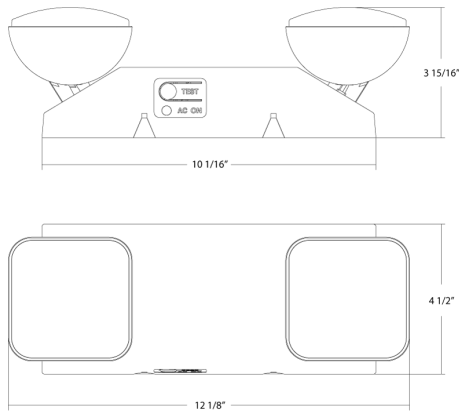


Example of multiple luminaires lighting a 3' path of egress.



Example of a single luminaire lighting a 3' path of egress.

Dimensions



Features

- Durable thermoplastic design
- Emergency light with 90-minute battery backup

Ordering Matrix

Family	Heads	High Lumen	Remote Capacity	Self Testing	CEC	Housing Color
EM						
	Blank = 2 Heads	Blank = No High Lumen H = High Lumen	Blank = No Remote Capable R = Remote Capable	Blank = No Self Testing S = Self Testing	Blank = No California Title 20 CEC = California Title 20EC	Blank = White