

R4FBNT, R4FRNL, R4FSNL, R4FBFT, R4FRFL, R4FSFL



4" FQ New Construction Housing and Frame-in Kit

SPECIFICATIONS

Input: Universal 120-277V AC 50/60 Hz

Standards: ETL & cETL, IC-rated, Airtight (see below for list)

Dimming: Electronic Low Voltage (ELV): 100%-1%
TRIAC: 100%-1% 0-10V: 100-1%

Emergency: EM fixtures provided with integral Emergency battery back up with 24" lead wire remote test switch. Provides at least 90 minutes of 6W illumination during emergency operation.

Mounting: New construction housings included with universal mounting brackets and hanger bars
Ceiling cutout (Round and Square): Ø 4 3/4"
Ceiling thickness: 1/2" - 1"

Construction: 20 Gauge galvanized sheet

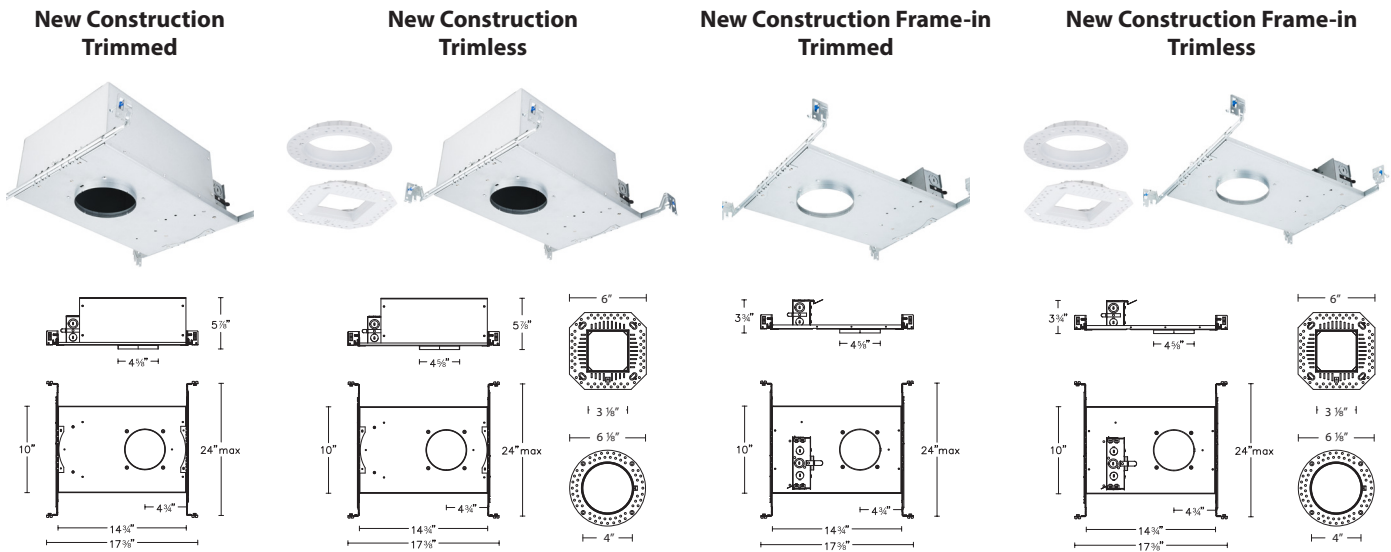
Warranty: 5 year WAC Lighting product warranty

Fixture Type:

Catalog Number:

Project: _____

Location: _____



HOUSINGS	Model	Power	Rating	Emergency Backup	Compatible Trims
New Construction Trimmed	R4FBNT Round and Square	Airtight	1 13W IC 2 19W IC 3 25W IC 4 28W Non-IC	EM	Emergency backup battery (Optional) R4FRDT, R4FSDT R4FRAT, R4FSAT R4FRWT, R4FSWT
New Construction Trimless	R4FRNL Round (Spackle frame included)	Airtight	1 13W IC 2 19W IC 3 25W IC 4 28W Non-IC	N/A	R4FRDL, R4FRAL, R4FRWL
	R4FSNL Square (Spackle frame included)	Airtight	1 13W IC 2 19W IC 3 25W IC 4 28W Non-IC	N/A	R4FSDL, R4FSAL, R4FSWL
New Construction Frame-in Trimmed	R4FBFT Round and Square		1 13W Non-IC 2 19W Non-IC 3 25W Non-IC 4 28W Non-IC	EM	Emergency backup battery (Optional) R4FRDT, R4FSDT R4FRAT, R4FSAT R4FRWT, R4FSWT
New Construction Frame-in Trimless	R4FRFL Round (Spackle frame included)		1 13W Non-IC 2 19W Non-IC 3 25W Non-IC 4 28W Non-IC	N/A	R4FRDL, R4FRAL, R4FRWL
	R4FSFL Square (Spackle frame included)		1 13W Non-IC 2 19W Non-IC 3 25W Non-IC 4 28W Non-IC	N/A	R4FSDL, R4FSAL, R4FSWL

R4F - - -

Example: **R4FBNT-1** or **R4FBNT-1-EM** (with Emergency backup battery)

waclighting.com
Phone (800) 526.2588
Fax (800) 526.2585

Headquarters/Eastern Distribution Center
44 Harbor Park Drive
Port Washington, NY 11050

Central Distribution Center
1600 Distribution Ct
Lithia Springs, GA 30122

Western Distribution Center
1750 Archibald Avenue
Ontario, CA 91761

R4FBNT, R4FRNL, R4FSNL, R4FBFT, R4FRFL, R4FSFL

4" FQ New Construction Housing and Frame-in Kit



REPLACEMENT DRIVER

<i>Housing Model</i>	<i>Power</i>		<i>Emergency Backup</i>	<i>Replacement Driver Model</i>
R4FBNT, R4FRNL, R4FSNL	1	13W	<i>None</i>	D-R4FN-1
	2	19W		D-R4FN-2
	3	25W		D-R4FN-3
	4	28W		D-R4FN-4
R4FBFT, R4FRFL, R4FSFL	1	13W	<i>None</i>	D-R4FF-1
	2	19W		D-R4FF-2
	3	25W		D-R4FF-3
	4	28W		D-R4FF-4
R4FBNT, R4FBFT	1	13W	<i>EM</i>	D-R4FN-1-EM
	2	19W		D-R4FN-2-EM
	3	25W		D-RBFN-3-EM
	4	28W		D-R4FN-4-EM

Example:

For **R4FRNL-2** housing, choose replacement driver model **D-R4FN-2**

For **R4FBNT-3-EM** housing, choose replacement driver model **D-RBFN-3-EM**