

# R2FRWL

## 2" FQ - Round Wall Wash Trimless



Fixture Type:

Catalog Number:

Project: \_\_\_\_\_

Location: \_\_\_\_\_

### PRODUCT DESCRIPTION

The FQ Recessed series offers a complete line of high performance LED luminaires that provide outstanding functionality and quality. The series features superlative glare control with 30° shielding, 35° vertical tilting and 360° horizontal rotation, and uniform floor-to-ceiling wall washing. Multiple power level options and a full line of round and square, trimmed and trimless luminaires offer versatile solutions for various lighting applications. Easy to order, install, and service.

### FEATURES

- Two-piece die-cast construction
- Light engine mounted on trim with springs for easy replacement
- 365° horizontal rotation
- Designed for even wall illumination both vertically and horizontally
- 5 year WAC Lighting product warranty

### SPECIFICATIONS

- Construction:** Durable die-cast aluminum construction
- Input:** Universal 120-277V AC 50/60 Hz
- Dimming:** Electronic Low Voltage (ELV): 100%-1%  
TRIAC: 100%-1%  
0-10V: 100-1%
- Light Source:** High output 3-step Mac Adam Ellipse COB  
Rated life of 50,000 hours at L70
- Mounting:** Heavy gauge retention clips support trim firmly. Safety cabling standard. Ceiling cutout: Ø 3 1/2" Accomodates 1/2" - 1" ceiling thickness
- Finish:** Electrostatically powder coated White, Black, Dark Bronze. Enamel coated Haze.
- Standards:** ETL & cETL Wet Location Listed, Title 24 JA8 Compliant.

	Model	Beam	*Lumens	*CBCP	Color Temp	CRI	Finishes	Reflector/Trim
	R2FRWL Round Trimless	A Asym	1390	N/A	927 2700K	90	BK DB HZ WT	Black Dark Bronze Haze White
			1465	N/A	930 3000K	90		
			1495	N/A	935 3500K	90		

### R2FRWL-\_\_ - \_\_

Example: **R2FRWL-930-WT**

\*Lumens shown in the table are reference values for 3000K trim with 3 housing. Use multiplier table below to determine the output for other combinations.

Multiplier		TRIM		
		927	930	935
HOUSING	3	0.95	1.00	1.02
	2	0.83	0.87	0.89
	1	0.61	0.64	0.65

Example: **R2FRWL-930-WT** with 1 housing: 1465 lm (Reference Output) x 0.64 (Multiplier) = 935 lm

Please see next page for housing units (required)

waclighting.com

Phone (800) 526.2588

Fax (800) 526.2585

Headquarters/Eastern Distribution Center

44 Harbor Park Drive

Port Washington, NY 11050

Central Distribution Center

1600 Distribution Ct

Lithia Springs, GA 30122

Western Distribution Center

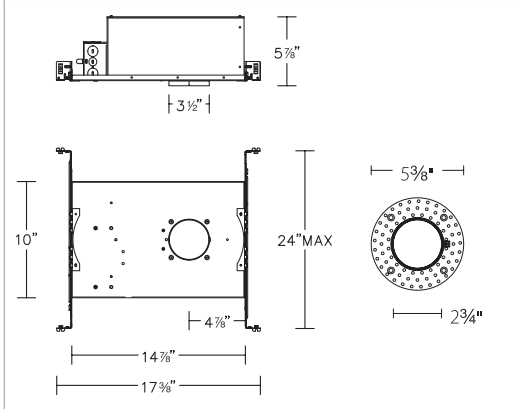
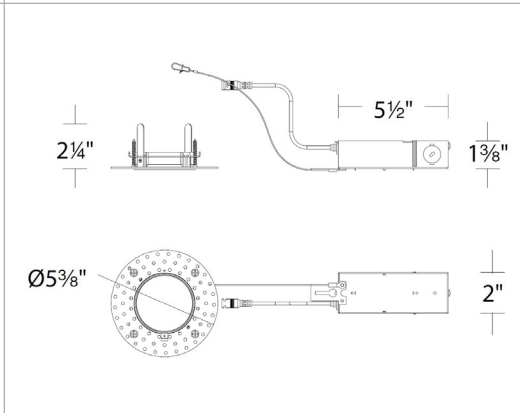
1750 Archibald Avenue

Ontario, CA 91761

# R2FRWL

## 2" FQ - Round Wall Wash Trimless



<i>HOUSING (Required)</i>	<i>Model</i>	<i>Power</i>	<i>Emergency Backup</i>
<p><b>New Construction</b> <b>IC Airtight</b></p> 	<p><b>R2FRNL</b></p>	<p><b>1</b> 15W IC <b>2</b> 21W IC <b>3</b> 25W Non-IC</p>	<p>N/A</p>
<p><b>Remodel</b> <b>Non-IC</b></p> 	<p><b>R2FRRL</b></p>	<p><b>1</b> 15W Non-IC <b>2</b> 21W Non-IC <b>3</b> 25W Non-IC</p>	<p>N/A</p>

**R2FR-\_\_\_\_-\_\_\_\_**

Example: **R2FRNL-1**

waclighting.com  
Phone (800) 526.2588  
Fax (800) 526.2585

**Headquarters/Eastern Distribution Center**  
44 Harbor Park Drive  
Port Washington, NY 11050

**Central Distribution Center**  
1600 Distribution Ct  
Lithia Springs, GA 30122

**Western Distribution Center**  
1750 Archibald Avenue  
Ontario, CA 91761