

R2FRDL

2" FQ - Round Downlight Trimless



Fixture Type:

Catalog Number:

Project: _____

Location: _____

PRODUCT DESCRIPTION

The FQ Recessed series offers a complete line of high performance LED luminaires that provide outstanding functionality and quality. The series features superlative glare control with 30° shielding, 35° vertical tilting and 360° horizontal rotation, and uniform floor-to-ceiling wall washing. Multiple power level options and a full line of round and square, trimmed and trimless luminaires offer versatile solutions for various lighting applications. Easy to order, install, and service.

FEATURES

- Two-piece die-cast construction
- Light engine mounted on trim with springs for easy replacement
- 30° shielding angle design for better visual comfort
- Field changeable beam angle with reflectors provided
- Accepts one Lens or glare control accessory
- 5 year WAC Lighting product warranty

SPECIFICATIONS

- Construction:** Durable die-cast aluminum construction
- Input:** Universal 120-277V AC 50/60 Hz
- Dimming:** Electronic Low Voltage (ELV): 100%-1%
TRIAC: 100%-1%
0-10V: 100-1%
- Light Source:** High output 3-step Mac Adam Ellipse COB
Rated life of 50,000 hours at L70
- Mounting:** Heavy gauge retention clips support trim firmly. Safety cabling standard. Ceiling cutout: Ø 3 1/2" Accommodates 1/2" - 1" ceiling thickness
- Finish:** Electrostatically powder coated White, Black, Dark Bronze. Enamel coated Haze.
- Standards:** ETL & cETL Wet Location Listed, Energy Star 2.0, Title 24 JA8 Compliant.

	Model	Beam	*Lumens	*CBCP	Color Temp	CRI	Finishes	Reflector/Trim	
	R2FRDL Round Trimless	N 25°	1870	5010	927 2700K	90	BK DB HZ WT	Black Dark Bronze Haze White	
		F 40°	1855	3425					
		W 55°	1825	2670					
			N 25°	2045	5610	930 3000K			90
			F 40°	2025	3790				
			W 55°	1970	2975				
			N 25°	2085	5725	935 3500K			90
			F 40°	2065	3865				
			W 55°	2010	3035				

R2FRDL-__-__

Example: **R2FRDL-927-BK** (Beam N-25° reflector is pre-installed. Beams F-40° and W-55° reflectors are included.)

* Lumens and CBCP are reference values for 3000K trim with **3** housing. Use multiplier table below to determine the output for other combinations.

Multiplier		TRIM		
		927	930	935
HOUSING	3	0.95	1.00	1.02
	2	0.83	0.87	0.89
	1	0.61	0.64	0.65

Example: **R2FRDL-930-WT** N-25° beam in **1** housing: 2045 lm (Reference Output) x 0.64 (Multiplier) = 1310 lm

5610 CBCP (Reference Output) x 0.64 (Multiplier) = 3590 CBCP

Please see next page for housing units (required)

wacighting.com

Phone (800) 526.2588

Fax (800) 526.2585

Headquarters/Eastern Distribution Center

44 Harbor Park Drive

Port Washington, NY 11050

Central Distribution Center

1600 Distribution Ct

Lithia Springs, GA 30122

Western Distribution Center

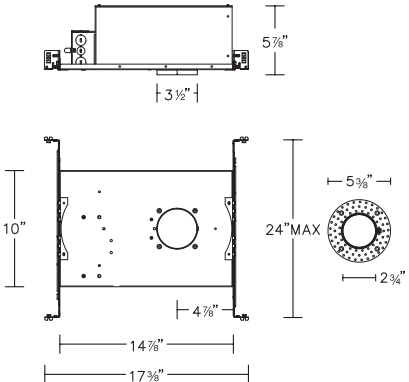
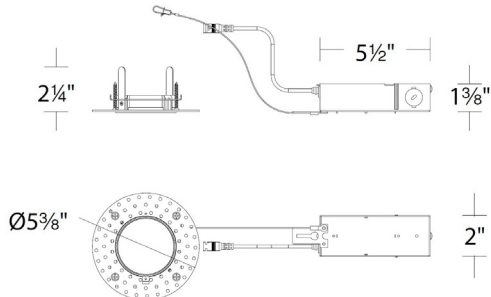
1750 Archibald Avenue

Ontario, CA 91761

R2FRDL

2" FQ - Round Downlight Trimless



HOUSING (Required)		Model	Power	Emergency Backup
New Construction IC Airtight		R2FRNL	1 15W IC 2 21W IC 3 25W Non-IC	N/A
Remodel Non-IC		R2FRRL	1 15W Non-IC 2 21W Non-IC 3 25W Non-IC	N/A

R2FR__ - __

Example: **R2FRNL-3**

GLARE CONTROL ACCESSORIES

LENS-11-HCM LENS-11P-CRL-BK	<i>Honeycomb Louver</i> <i>Cross Louver</i>
--	--

LENS ACCESSORIES

LENS-11	AMB RED BLU GRN SPR BEL	<i>Amber</i> <i>Red</i> <i>Blue</i> <i>Green</i> <i>Spread</i> <i>Beam Elongating</i>
----------------	--	--

wacighting.com
 Phone (800) 526.2588
 Fax (800) 526.2585

Headquarters/Eastern Distribution Center
 44 Harbor Park Drive
 Port Washington, NY 11050

Central Distribution Center
 1600 Distribution Ct
 Lithia Springs, GA 30122

Western Distribution Center
 1750 Archibald Avenue
 Ontario, CA 91761