

# NPR-56RNDC

5"/6" Pearl LED Round Retrofit Downlight

Source: 12W LED  
1200lm

Type
Project
Catalog No.
Notes

## PRODUCT DESCRIPTION

Pearl LED Retrofit series is cULus classified for use in existing IC or Non-IC housings manufactured by Nora and others. Retrofit luminaire delivers over 1200 lumens with deep regressed cone reflector for optimal visual cut-off.

## FEATURES

- 1200lm LED output
- Comfort Dim (warm dimming) available in 800lm only
- 2700K, 3000K, 3500K, 4000K @ 90+ CRI
- Field changeable optics included (Spot, Narrow Flood and Flood - installed)
- Integral dimmable driver
- Includes medium base socket adapter for easy retrofitting in 5" or 6" recessed housings
- 5-year limited warranty
- ENERGY STAR certified
- cULus classified for wet locations

## SPECIFICATION

**Construction:** Trims are constructed of heat dissipating, die-cast aluminum. The aluminum die-cast LED heat sink is threaded to fit the reflector and transfer heat.

**Mounting:** Luminaires includes friction blades to mount securely to housing.

## OPTICS

Each luminaire includes field changeable optics (29° spot, 44° narrow flood and 61° flood - preinstalled). Premium 15° and 25° TIR optics are also available.

**Retrofit:** Pearl retrofit series includes medium base screw-socket adapter (NRA-211SM) for retrofitting into existing medium base downlight housings. GU24 socket adapter is available for use with GU24 housings, must specify NRA-212SM.

## ELECTRICAL

**Input Voltage:** 120V

**Lumens / Wattage:** 1200lm / 12W (800lm w/ Comfort Dim)

**Color Temperature:** 2700K, 3000K, 3500K, 4000K

**Color Rendering Index:** 90+CRI

**Beam Spread:** 22° Spot, 38° Narrow Flood, 56° Flood

**Operating Temp.:** 0°C to 25°C ambient temperature

**Lifetime:** 50,000 hours @ L70

**Comfort Dim:** Comfort Dim color tunes the temperature from a bright 3100K, to a romantic and comfortable 2000K on a gradual, even curve. Available in 800lm only.

**Dimming:** Triac or ELV

[Click Here](#) or check complete dimmer list at

www.NoraLighting.com in the "Compatibility" page under "Resources" tab

## COMPATIBLE HOUSINGS

Retrofit is compatible with most 5" & 6" IC and Non-IC housings by Nora and others.

### Fire Box

- [NFBC-5INCATA](#) 5" ICAT Fire Box
- [NFBC-5LMRATA\\*](#) 5" ICAT Dedicated LED Fire Box
- [NFBC-6INCATA](#) 6" ICAT Fire Box
- [NFBC-6LMRATA\\*](#) 6" ICAT Dedicated LED Fire Box

### New Construction

- [NHIC-5LMRAT\\*](#) 5" ICAT Dedicated LED
- [NHIC-5LMRAT/277\\*1](#) 5" ICAT Dedicated LED, 277V
- [NHIC-527LMRAT\\*](#) 5" ICAT Shallow Dedicated LED
- [NHIC-5010AT](#) 5" ICAT Line Voltage
- [NHIC-5270AT](#) 5" ICAT Shallow Line Voltage
- [NH-5010](#) 5" Line Voltage
- [NHIC-6LMRAT\\*](#) 6" ICAT Dedicated LED
- [NHIC-6LMRAT/277\\*1](#) 6" ICAT Dedicated LED, 277V
- [NHICCP-6LMRAT\\*](#) 6" Chicago Plenum Dedicated LED
- [NHIC-27LMRAT\\*](#) 6" ICAT Shallow Dedicated LED
- [NHIC-170AT](#) 6" ICAT Line Voltage
- [NHIC-170NBAT](#) 6" ICAT Line Volt (No Bracket)
- [NHIC-270AT](#) 6" ICAT Shallow Line Voltage
- [NH-260](#) 6" Line Voltage
- [NH-270](#) 6" Shallow Line Voltage
- [NHIC-6G24ATFL](#) 6" ICAT GU24

### Remodel

- [NHRIC-5LMRAT\\*](#) 5" ICAT Dedicated LED
- [NHRIC-527LMRAT\\*](#) 5" ICAT Shallow Dedicated LED
- [NHRIC-5040AT](#) 5" ICAT Line Voltage
- [NHRIC-5270AT](#) 5" ICAT Shallow Line Voltage
- [NHR-5040](#) 5" Line Voltage
- [NHRIC-6LMRAT\\*](#) 6" ICAT Dedicated LED
- [NHRIC-27LMRAT\\*](#) 6" ICAT Shallow Dedicated LED
- [NHRIC-170AT](#) 6" ICAT Line Voltage
- [NHRIC-170NBAT](#) 6" ICAT Line Volt (No Bracket)
- [NHRIC-270AT](#) 6" ICAT Shallow Line Voltage
- [NHR-260](#) 6" Line Voltage
- [NHR-270](#) 6" Shallow Line Voltage

\* Nora LED Dedicated housings are cULus listed for use only with Nora LED Retrofits.

<sup>1</sup> Housings include a step down transformer

**Accessories:** Luminaire will accommodate (1) hex louver and (1) translucent deco collar or opaque snoot, no accessory holder is required, see page 2.

## LABELS AND LISTINGS

- cULus classified for Wet Locations
- ENERGY STAR certified
- RoHS compliant
- [5-Year Limited Warranty](#)
- Certified to the high efficacy requirements of California Title 24 JA8-2019

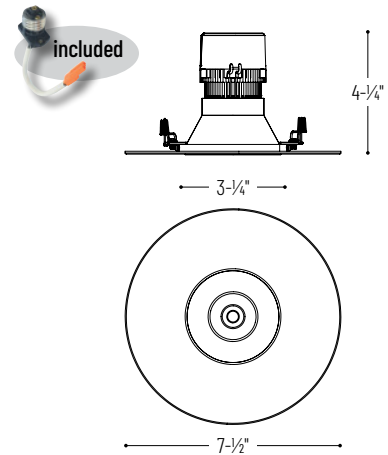


## Performance Data

Part Number	Lumens	CCT	Optic
<b>NPR-56RNDC40XMPW</b>	1218lm	4000K	Spot
<b>NPR-56RNDC40XMPW</b>	1225lm	4000K	Narrow
<b>NPR-56RNDC40XMPW</b>	1200lm	4000K	Flood

Delivered lumens will vary depending on CCT, optic and finish

## PRODUCT IMAGES & DIMENSIONS



### CHMPW

Champagne Haze Reflector  
Matte Powder White Flange



### MPW

Matte Powder White Reflector  
Matte Powder White Flange



### WW

White Reflector  
White Flange

## 5"/6" Pearl LED Round Retrofit Reflector with Round Aperture

Reflector Type	Color Temperature / Lumens	Finish
<b>NPR-56RNDC</b> = Round Reflector with Round Aperture	<b>27X</b> = 2700K / 1000lm	<b>CHMPW</b> = Champagne Haze / Matte Powder White
	<b>30X</b> = 3000K / 1000lm	<b>MPW</b> = Matte Powder White / Matte Powder White
	<b>35X</b> = 3500K / 1000lm	<b>WW</b> = White / White
	<b>40X</b> = 4000K / 1000lm	
	<b>CDX</b> = Comfort Dim / 800lm	

Example: **NPR-56RNDC27XWW** = 5"/6" Pearl LED Round Retrofit Reflector with Round Aperture, 2700K / 1000lm, White finish

# Pearl LED Retrofit Accessories

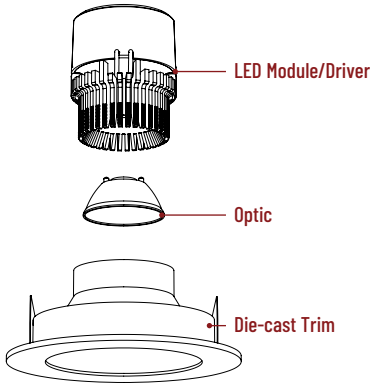
## 5"/6" Pearl LED Round Retrofit Downlight

Type
Project
Catalog No.
Notes

### FIELD CHANGEABLE OPTICS

Pearl retrofits include spot, narrow flood and flood optics. Optics can be changed in the field by removing LED module from die-cast trim. Replacement optics include an optional frosted lens.

**Note:** Premium TIR optics are not compatible with Comfort Dim LED modules.



Frosted Filter-Optic

NIO-REFL15FR	15° Optic
NIO-REFL25FR	29° Optic
NIO-REFL38FR	44° Optic
NIO-REFL60FR	61° Optic

Optic assemblies includes optional frosted lens. 29°, 44° and 61° optics are included with each retrofit.



Premium TIR Optics

NIO-REFLTIR15	15° Optic
NIO-REFLTIR25	25° Optic

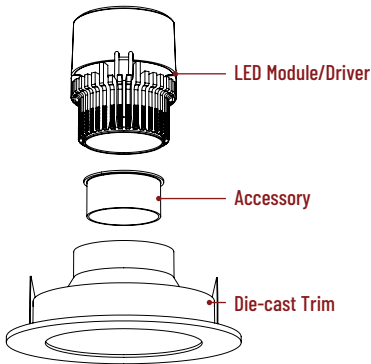
Premium TIR (total internal reflection) optics create optimal spot and narrow flood beam spread.

**Not compatible with Comfort Dim (CDX) LED module**

### ACCESSORIES

Pearl accessories can be added at any point in the design process. Accessories easily install between LED module and die-cast trim.

Luminaire will accommodate (1) hex louver and (1) collar accessory, no accessory holder required.



Translucent Decorative Collar

NIO-AS14(color)	5/8" length
NIO-AS19(color)	3/4" length
NIO-AS26(color)	1" length
<b>Color:</b>	
AM (amber), BLU (blue), FR (frosted), R (red)	

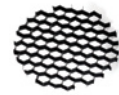
Translucent collars color the aperture with the specified color while producing white general light. Collars are available in different lengths. Use to add interest, create a theme, match a theme or define a space.



Opaque Collar Snoot

NIO-AS14(color)	5/8" length
NIO-AS19(color)	3/4" length
NIO-AS26(color)	1" length
<b>Color:</b>	
BLK (black), MPW (matte powder white), WH (white)	

Opaque snoot greatly reduces aperture brightness while preserving light output. (Note: Black snoot will reduce light)



Hex Cell Louver

NIO-HC	Black
--------	-------

Hex cell louver subtly reduces aperture brightness by reducing light output by about 20%.

# PHOTOMETRICS

## 5"/6" Pearl LED Round Retrofit Downlight

Type

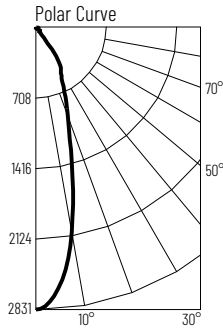
Project

Catalog No.

Notes

### Test Information

Test Number: NTR1885R1  
 Part Number: NPR-56RNDC40XWW  
 Beam Spread: 29° Spot  
 Lumens: 1218lm  
 Wattage: 11.89W  
 Efficacy: 102pw  
 CCT / CRI: 4000K / 90 CRI  
 Spacing Criteria (0°-180°): 0.48  
 Spacing Criteria (90°-270°): 0.48



### Illuminance at a Distance

Distance from Luminaire	FC at Nadir	Beam Diameter
4'	177fc	2'
6'	78.7fc	3'
8'	44.2fc	4'-1"
10'	28.3fc	5'-1"
12'	19.7fc	6'-1"

### Zonal Lumen Summary

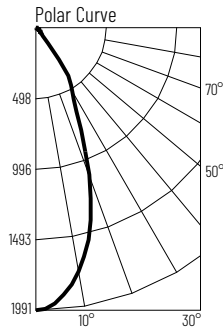
Zone	Lumens	% Luminaire
0-30	928	76.2
0-40	1122	92.1
0-60	1194	98.1
0-90	1218	100
90-180	0	0
0-180	1218	100

### Candela Table

Vertical Angles	Candela
0	2831
5	2547
15	1324
25	716
35	346
45	58

### Test Information

Test Number: NTR1886R1  
 Part Number: NPR-56RNDC40XWW  
 Beam Spread: 44° Narrow Flood  
 Lumens: 1225lm  
 Wattage: 11.91W  
 Efficacy: 103pw  
 CCT / CRI: 4000K / 90 CRI  
 Spacing Criteria (0°-180°): 0.7  
 Spacing Criteria (90°-270°): 0.7



### Illuminance at a Distance

Distance from Luminaire	FC at Nadir	Beam Diameter
4'	124fc	3'-2"
6'	55.3fc	4'-10"
8'	31.1fc	6'-5"
10'	19.9fc	8'
12'	13.8fc	9'-7"

### Zonal Lumen Summary

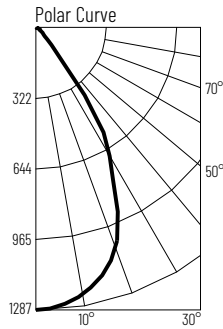
Zone	Lumens	% Luminaire
0-30	932	76.1
0-40	1128	92.1
0-60	1200	98
0-90	1225	100
90-180	0	0
0-180	1225	100

### Candela Table

Vertical Angles	Candela
0	1991
5	1906
15	1444
25	771
35	338
45	55

### Test Information

Test Number: NTR1887R1  
 Part Number: NPR-56RNDC40XWW  
 Beam Spread: 61° Flood  
 Lumens: 1200lm  
 Wattage: 11.94W  
 Efficacy: 100pw  
 CCT / CRI: 4000K / 90 CRI  
 Spacing Criteria (0°-180°): 0.94  
 Spacing Criteria (90°-270°): 0.94



### Illuminance at a Distance

Distance from Luminaire	FC at Nadir	Beam Diameter
4'	80.5fc	4'-8"
6'	35.8fc	7'-1"
8'	20.1fc	9'-6"
10'	12.9fc	11'-11"
12'	8.9fc	14'-2"

### Zonal Lumen Summary

Zone	Lumens	% Luminaire
0-30	838	69.9
0-40	1089	90.8
0-60	1173	97.8
0-90	1200	100
90-180	0	0
0-180	1200	100

### Candela Table

Vertical Angles	Candela
0	1287
5	1268
15	1146
25	875
35	431
45	65

### Lumen Output Multipliers

Color Temperature: 2700K (0.9), 3000K (0.92), 3500K (0.97), 4000K (1.0)