

NPR-4SC

4" Pearl LED Square Adjustable Cone Retrofit

Source: 12W LED
1250lm

PRODUCT DESCRIPTION

Pearl LED Retrofit series is cULus classified for use in existing IC or Non-IC housings manufactured by Nora and others. The 4" retrofit luminaires deliver over 1250 lumens with die-cast adjustable cone for optimal visual cut-off and adjustability to aim the light source in desired direction.

FEATURES

- Comfort Dim (warm dimming) is available in 950lm only
- 2700K, 3000K, 3500K, 4000K @ 90+ CRI
- Field changeable optics included (Spot, Narrow Flood and Flood - installed)
- Integral dimmable driver
- Includes medium base socket adapter for easy retrofitting in 4" recessed housings
- 5-year limited warranty
- ENERGY STAR certified
- cULus classified for damp locations

SPECIFICATION

Construction: Trims are constructed of heat dissipating, die-cast aluminum. The aluminum die-cast LED heat sink is threaded to fit the trim and transfer heat.

Mounting: Luminaire includes friction blades to mount securely to housing.

OPTICS

Three field changeable optics (spot, narrow flood and flood) are included with each LED module. Premium 22° and 26° TIR optics are also available.

ELECTRICAL

Input Voltage: 120V

Lumens / Wattage: 1250lm / 12W (950lm w/ Comfort Dim)

Color Temperature: 2700K, 3000K, 3500K, 4000K

Color Rendering Index: 90+CRI

Beam Spread: 27° Spot, 38° Narrow Flood, 63° Flood

Operating Temperature: 0°C to 25°C

Lifetime: 50,000 hours @ L70

Comfort Dim: Comfort Dim color tunes the temperature from a bright 3100K, to a romantic and comfortable 2000K on a gradual, even curve. Available in 950lm only.

Dimming: Triac (leading edge) or ELV (trailing edge)

[Click Here](#) or check complete dimmer list at www.NoraLighting.com in the "Compatibility" page under "Resources" tab

COMPATIBLE HOUSINGS

Pearl retrofits are compatible with most 4" IC and Non-IC housings by Nora and others.

Fire Box

[NFBC-4LMRATA*](#) ICAT Dedicated LED

[NFBC-427LMRATA*](#) Shallow ICAT Dedicated LED

[NFBC-4INCATA](#) ICAT Line Voltage

New Construction

[NSIC-4LMRAT*](#) Max. Adjustability ICAT Dedicated LED

[NHIC-4LMRAT*](#) ICAT Dedicated LED

[NHIC-4LMRAT/277*](#) ICAT Dedicated LED, 277V (includes step-down transformer)

[NHIC-427LMRAT*](#) Shallow ICAT Dedicated LED

[NSIC-401QAT](#) ICAT Line Voltage

[NS-401QAT](#) AT Line Voltage

[NHIC-4G24AT](#) ICAT GU24

Remodel

[NHRIC-4LMRAT*](#) ICAT Dedicated LED

[NHRIC-427LMRAT*](#) Shallow ICAT Dedicated LED

[NSRIC-404QAT](#) ICAT Line Voltage

[NSR-404QAT](#) AT Line Voltage

* Nora Dedicated LED housings are cULus listed for use only with Nora LED Retrofits.

Retrofit: Pearl retrofit series includes medium base screw-socket adapter (NRA-211SM) for retrofitting into existing medium base downlight housings. GU24 socket adapter is available for use with GU24 housings, must specify NRA-212SM.

Accessories: Luminaires can accommodate (1) hex louver and (1) translucent deco collar or opaque snoot, no accessory holder is required, see accessories page.

LABELS AND LISTINGS

- cULus classified for Damp Locations
- ENERGY STAR certified
- RoHS compliant
- [5-Year Limited Warranty](#)
- Certified to the high efficacy requirements of California Title 24 JA8-2022



Type

Project

Catalog No.

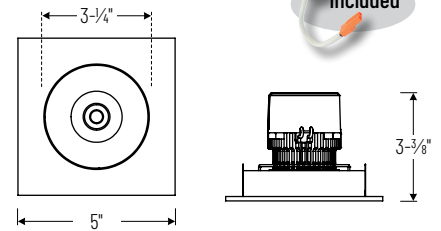
Notes

Performance Data

Part Number	Lumens	CCT	Optic
NPR-4SC30XWW	1266lm	3000K	Spot
NPR-4SC30XWW	1275lm	3000K	Narrow
NPR-4SC30XWW	1262lm	3000K	Flood

Delivered lumens will vary depending on CCT, optic and finish

PRODUCT IMAGES & DIMENSIONS



NPR-4SC

Square Adjustable Cone

Adjustability:

Max. Adjustability Housing: 35°

Standard Housings: 25°

Shallow Housings: 10°



BB

Black Reflector
Black Flange



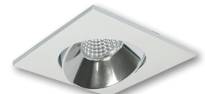
BW

Black Reflector
White Flange



BZ

Bronze Reflector
Bronze Flange



CMPW

Specular Clear Reflector
Matte Powder White Flange



HW

Haze Reflector
White Flange



HZMPW

Haze Reflector
Matte Powder White Flange



MPW

Matte Powder White Reflector
Matte Powder White Flange



NN

Natural Metal Reflector
Natural Metal Flange



WW

White Reflector
White Flange

4" Pearl LED Square Adjustable Cone Retrofit

Trim Type	Color Temperature	Finish
NPR-4SC = Square Adjustable Cone	27X = 2700K	BB = Black / Black
	30X = 3000K	BW = Black / White
	35X = 3500K	BZ = Bronze / Bronze
	40X = 4000K	CMPW = Specular Clear / Matte Powder White
	CDX = Comfort Dim	HW = Haze / White
		HZMPW = Haze / Matte Powder White
	MPW = Matte Powder White	NN = Natural Metal / Natural Metal
		WW = White / White

Example: **NPR-4SC27XWW** = 4" Pearl LED Square Adjustable Cone Retrofit, 2700K, White finish

Pearl LED Retrofit Accessories

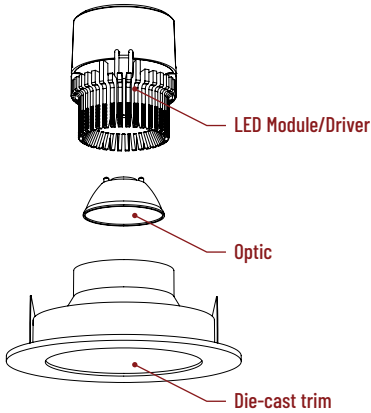
4" Pearl LED Square Adjustable Cone Retrofit

Type
Project
Catalog No.
Notes

FIELD CHANGEABLE OPTICS

Pearl luminaires include spot, narrow flood and flood optics. Optics can be changed in the field by removing LED module from die-cast trim. Replacement optics include an optional frosted lens.

Note: Premium TIR optics are not compatible with Comfort Dim LED modules.



Frosted Filter-Optic

NIO-REFL38FR	60° Optic
NIO-REFL60FR	73° Optic

Replaces optics that are included with each LED module.



Premium TIR Optics

NIO-REFLTIR15	22° Optic
NIO-REFLTIR25	26° Optic

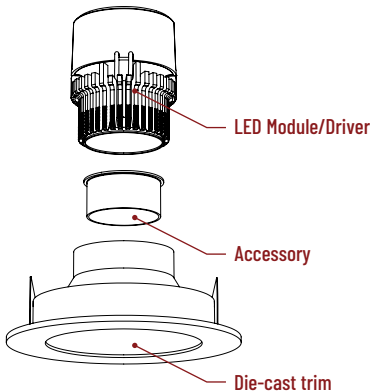
Premium TIR (total internal reflection) optics create optimal spot and narrow flood beam spread.

Not compatible with Comfort Dim (CDX) LED module

ACCESSORIES

Pearl accessories can be added at any point in the design process. Accessories easily install between LED module and die-cast trim.

Luminaire will accommodate (1) hex louver and (1) collar accessory, no accessory holder required.



Translucent Decorative Collar

NIO-AS14(color)	5/8" length
NIO-AS19(color)	3/4" length
NIO-AS26(color)	1" length
Color:	
AM (amber), BLU (blue), FR (frosted), R (red)	

Translucent collars color the aperture with the specified color while producing white general light. Collars are available in different lengths. Use to add interest, create a theme, match a theme or define a space.



Opaque Collar Snoot

NIO-AS14(color)	5/8" length
NIO-AS19(color)	3/4" length
NIO-AS26(color)	1" length
Color:	
BLK (black), MPW (matte powder white), WH (white)	

Opaque snoot greatly reduces aperture brightness while preserving light output. (Note: Black snoot will reduce light)



Hex Cell Louver

NIO-HC	Black
---------------	-------

Hex cell louver subtly reduces aperture brightness by reducing light output by about 20%.

PHOTOMETRICS

4" Pearl LED Square Adjustable Cone Retrofit

Type

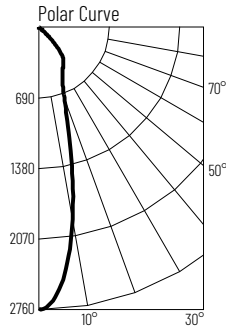
Project

Catalog No.

Notes

Test Information

Test Number: NTR1518
 Part Number: NPR-4SC30XWW
 Beam Spread: 27° Spot
 Lumens: 1266lm
 Wattage: 11.6W
 Efficacy: 109pw
 CCT / CRI: 3000K / 90 CRI
 Spacing Criteria (0°-180): 0.48
 Spacing Criteria (90°-270): 0.46



Illuminance at a Distance

Distance from Luminaire	FC at Nadir	Beam Diameter
4'	172fc	2'
6'	76.5fc	3'
8'	43fc	3'-11"
10'	27.5fc	4'-11"
12'	19.1fc	5'-11"

Zonal Lumen Summary

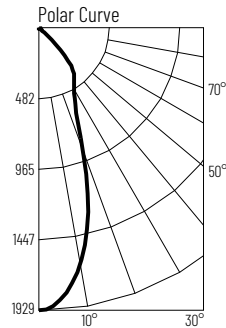
Zone	Lumens	% Luminaire
0-30	813	64.2
0-40	1074	84.8
0-60	1251	98.8
0-90	1263	99.8
90-180	3	0.2
0-180	1266	100

Candela Table

Vertical Angles	Candela
0	2753
5	2541
15	1205
25	544
35	421
45	209

Test Information

Test Number: NTR1519
 Part Number: NPR-4SC30XWW
 Beam Spread: 38° Narrow Flood
 Lumens: 1275lm
 Wattage: 11.63W
 Efficacy: 110pw
 CCT / CRI: 3000K / 90 CRI
 Spacing Criteria (0°-180): 0.64
 Spacing Criteria (90°-270): 0.64



Illuminance at a Distance

Distance from Luminaire	FC at Nadir	Beam Diameter
4'	121fc	2'-10"
6'	53.6fc	4'-1"
8'	30.1fc	5'-6"
10'	19.3fc	6'-11"
12'	13.4fc	8'-4"

Zonal Lumen Summary

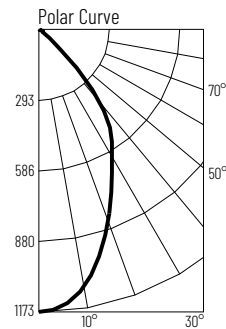
Zone	Lumens	% Luminaire
0-30	810	63.5
0-40	1049	82.2
0-60	1256	98.5
0-90	1272	99.8
90-180	3	0.2
0-180	1275	100

Candela Table

Vertical Angles	Candela
0	1929
5	1850
15	1305
25	598
35	425
45	212

Test Information

Test Number: NTR1520
 Part Number: NPR-4SC30XWW
 Beam Spread: 63° Flood
 Lumens: 1262lm
 Wattage: 11.68W
 Efficacy: 108pw
 CCT / CRI: 3000K / 90 CRI
 Spacing Criteria (0°-180): 0.88
 Spacing Criteria (90°-270): 0.88



Illuminance at a Distance

Distance from Luminaire	FC at Nadir	Beam Diameter
4'	73.3fc	4'-11"
6'	32.6fc	7'-4"
8'	18.3fc	9'-8"
10'	11.7fc	12'-2"
12'	8.1fc	14'-7"

Zonal Lumen Summary

Zone	Lumens	% Luminaire
0-30	711	56.3
0-40	1004	79.6
0-60	1238	98.1
0-90	1259	99.8
90-180	3	0.2
0-180	1262	100

Candela Table

Vertical Angles	Candela
0	1173
5	1151
15	974
25	716
35	522
45	225

Lumen Output Multipliers

Color Temperature: 2700K (0.97), 3000K (1.00), 3500K (1.05), 4000K (1.09)