

NPR-4RSL

4" Pearl LED Round Adjustable Slot Aperture Retrofit

Source: 12W LED
850lm

Type

Project

Catalog No.

Notes

PRODUCT DESCRIPTION

Pearl LED Retrofit series is cULus classified for use in existing IC housings manufactured by Nora. The 4" retrofit luminaires deliver up to 850 lumens with an adjustable slot aperture to focus the beam spread through 1-3/4" x 1-3/8" opening.

FEATURES

- Comfort Dim (warm dimming) is available in 650lm only
- 2700K, 3000K, 3500K, 4000K @ 90+ CRI
- Field changeable optics included (Spot, Narrow Flood and Flood - installed)
- Integral dimmable driver
- 5-year limited warranty
- ENERGY STAR certified
- cULus classified for damp locations

SPECIFICATION

Construction: Trims are constructed of heat dissipating, die-cast aluminum. The aluminum die-cast LED heat sink is threaded to fit the trim and transfer heat.

Mounting: Luminaire includes friction blades to mount securely to housing.

OPTICS

Three field changeable optics (spot, narrow flood and flood) are included with each LED module. Premium 22° and 26° TIR optics are also available.

ELECTRICAL

Input Voltage: 120V

Lumens / Wattage: 850lm / 12W (650lm w/ Comfort Dim)

Color Temperature: 2700K, 3000K, 3500K, 4000K

Color Rendering Index: 90+CRI

Beam Spread: 28° Spot, 36° Narrow Flood, 47° Flood

Operating Temperature: 0°C to 25°C

Lifetime: 50,000 hours @ L70

Comfort Dim: Comfort Dim color tunes the temperature from a bright 3100K, to a romantic and comfortable 2000K on a gradual, even curve. Available in 650lm only.

Dimming: Triac (leading edge) or ELV (trailing edge)

[Click Here](#) or check complete dimmer list at www.NoraLighting.com in the "Compatibility" page under "Resources" tab

COMPATIBLE HOUSING

Pearl adjustable slot aperture retrofit reflectors are compatible with 4" Max. Adjustability IC housing by Nora only.

New Construction

[NSIC-4LMRAT](#) Max. Adjustability ICAT Dedicated LED

Accessories: Luminaires can accommodate (1) hex louver and (1) translucent deco collar or opaque snoot, no accessory holder is required, see accessories page.

LABELS AND LISTINGS

- cULus classified for Damp Locations
- ENERGY STAR certified
- RoHS compliant
- [5-Year Limited Warranty](#)
- Certified to the high efficacy requirements of California Title 24 JA8-2022

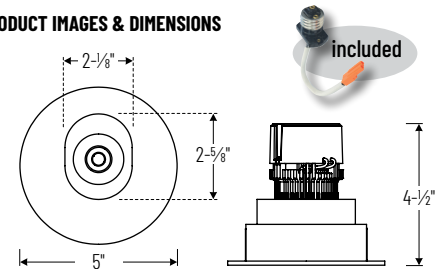


Performance Data

Part Number	Lumens	CCT	Optic
NPR-4RSL30XWW	884lm	3000K	Spot
NPR-4RSL30XWW	872lm	3000K	Narrow
NPR-4RSL30XWW	821lm	3000K	Flood

Delivered lumens will vary depending on CCT, optic and finish

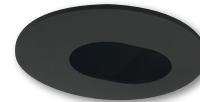
PRODUCT IMAGES & DIMENSIONS



NPR-4RSL

Round Adjustable Slot Aperture
30° Adjustable (varies by housing)

* For maximum adjustment use [NSIC-4LMRAT](#) *



BB

Black Slot Aperture
Black Flange



BMPW

Black Slot Aperture
Matte Powder White Flange



HZMPW

Haze Slot Aperture
Matte Powder White Flange



MPW

Matte Powder White Aperture
Matte Powder White Flange

4" Pearl LED Round Adjustable Slot Aperture Retrofit

Trim Type	Color Temperature	Finish
NPR-4RSL = Round Adjustable Slot Aperture	27X = 2700K	BB = Black / Black
	30X = 3000K	BMPW = Black / Matte Powder White
	35X = 3500K	HZMPW = Haze / Matte Powder White
	40X = 4000K	MPW = Matte Powder White
	CDX = Comfort Dim	

Example: **NPR-4RSL27XMPW** = 4" Pearl LED Round Adjustable Slot Aperture Retrofit, 2700K, Matte Powder White finish

Pearl LED Retrofit Accessories

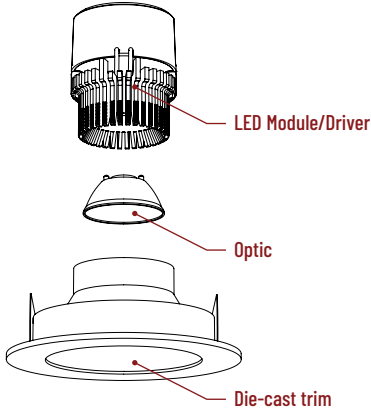
4" Pearl LED Round Adjustable Slot Aperture Retrofit

Type
Project
Catalog No.
Notes

FIELD CHANGEABLE OPTICS

Pearl luminaires include spot, narrow flood and flood optics. Optics can be changed in the field by removing LED module from die-cast trim. Replacement optics include an optional frosted lens.

Note: Premium TIR optics are not compatible with Comfort Dim LED modules.



Frosted Filter-Optic

NIO-REFL38FR 60° Optic
NIO-REFL60FR 73° Optic

Replaces optics that are included with each LED module.



Premium TIR Optics

NIO-REFLTIR15 22° Optic
NIO-REFLTIR25 26° Optic

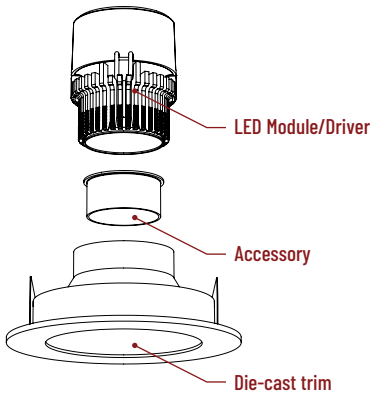
Premium TIR (total internal reflection) optics create optimal spot and narrow flood beam spread.

Not compatible with Comfort Dim (CDX) LED module

ACCESSORIES

Pearl accessories can be added at any point in the design process. Accessories easily install between LED module and die-cast trim.

Luminaire will accommodate (1) hex louver and (1) collar accessory, no accessory holder required.



Translucent Decorative Collar

NIO-AS14(color) 5/8" length
NIO-AS19(color) 3/4" length
NIO-AS26(color) 1" length
Color:
AM (amber), **BLU** (blue), **FR** (frosted), **R** (red)

Translucent collars color the aperture with the specified color while producing white general light. Collars are available in different lengths. Use to add interest, create a theme, match a theme or define a space.



Opaque Collar Snoot

NIO-AS14(color) 5/8" length
NIO-AS19(color) 3/4" length
NIO-AS26(color) 1" length
Color:
BLK (black), **MPW** (matte powder white), **WH** (white)

Opaque snoot greatly reduces aperture brightness while preserving light output. (Note: Black snoot will reduce light)



Hex Cell Louver

NIO-HC Black
 Hex cell louver subtly reduces aperture brightness by reducing light output by about 20%.

PHOTOMETRICS

4" Pearl LED Round Adjustable Slot Aperture Retrofit

Type

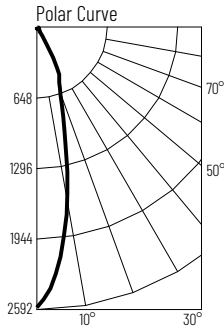
Project

Catalog No.

Notes

Test Information

Test Number: NTR1539
 Part Number: NPR-4RSL30XWW
 Beam Spread: 28° Spot
 Lumens: 884lm
 Wattage: 11.69W
 Efficacy: 76pw
 CCT / CRI: 3000K / 90 CRI
 Spacing Criteria (0°-180): 0.48
 Spacing Criteria (90°-270): 0.4



Illuminance at a Distance

Distance from Luminaire	FC at Nadir	Beam Diameter
4'	161fc	2'
6'	71.5fc	3'-1"
8'	40.2fc	4'-1"
10'	25.7fc	5'-1"
12'	17.9fc	6'-1"

Zonal Lumen Summary

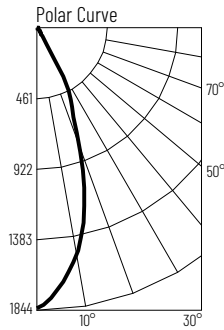
Zone	Lumens	% Luminaire
0-30	743	84
0-40	787	89
0-60	843	95.3
0-90	882	99.7
90-180	3	0.3
0-180	884	100

Candela Table

Vertical Angles	Candela
0	2573
5	2375
15	1147
25	523
35	62
45	31

Test Information

Test Number: NTR1540
 Part Number: NPR-4RSL30XWW
 Beam Spread: 36° Narrow Flood
 Lumens: 872lm
 Wattage: 11.72W
 Efficacy: 74pw
 CCT / CRI: 3000K / 90 CRI
 Spacing Criteria (0°-180): 0.62
 Spacing Criteria (90°-270): 0.54



Illuminance at a Distance

Distance from Luminaire	FC at Nadir	Beam Diameter
4'	115fc	2'-11"
6'	50.9fc	4'-4"
8'	28.6fc	5'-8"
10'	18.3fc	7'-2"
12'	12.7fc	8'-7"

Zonal Lumen Summary

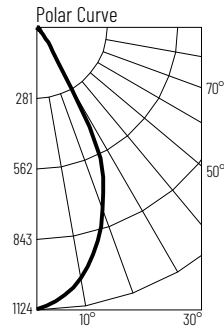
Zone	Lumens	% Luminaire
0-30	728	83.5
0-40	773	88.6
0-60	828	95
0-90	870	99.7
90-180	2	0.3
0-180	872	100

Candela Table

Vertical Angles	Candela
0	1832
5	1723
15	1213
25	547
35	54
45	29

Test Information

Test Number: NTR1541
 Part Number: NPR-4RSL30XWW
 Beam Spread: 47° Flood
 Lumens: 821lm
 Wattage: 11.67W
 Efficacy: 70pw
 CCT / CRI: 3000K / 90 CRI
 Spacing Criteria (0°-180): 0.86
 Spacing Criteria (90°-270): 0.74



Illuminance at a Distance

Distance from Luminaire	FC at Nadir	Beam Diameter
4'	70fc	4'-4"
6'	31.1fc	6'-5"
8'	17.5fc	8'-6"
10'	11.2fc	10'-7"
12'	7.8fc	12'-10"

Zonal Lumen Summary

Zone	Lumens	% Luminaire
0-30	624	76
0-40	712	86.8
0-60	774	94.3
0-90	819	99.7
90-180	2	0.3
0-180	821	100

Candela Table

Vertical Angles	Candela
0	1120
5	1095
15	929
25	674
35	137
45	35

Lumen Output Multipliers

Color Temperature: 2700K (0.97), 3000K (1.00), 3500K (1.05), 4000K (1.09)