

NPR-4RPH

4" Pearl LED Round Fixed Pinhole Retrofit

Source: 12W LED
950lm

Type

Project

Catalog No.

Notes

PRODUCT DESCRIPTION

Pearl LED Retrofit series is cULus classified for use in existing IC or Non-IC housings manufactured by Nora and others. The 4" retrofit luminaires deliver up to 950 lumens with 2" pinhole to focus the beam spread through small opening. Available in fixed downlight or adjustable.

FEATURES

- Comfort Dim (warm dimming) is available in 750lm only
- 2700K, 3000K, 3500K, 4000K @ 90+ CRI
- Field changeable optics included (Spot, Narrow Flood and Flood - installed)
- Integral dimmable driver
- Includes medium base socket adapter for easy retrofitting in 4" recessed housings
- 5-year limited warranty
- ENERGY STAR certified
- cULus classified for wet locations

SPECIFICATION

Construction: Trims are constructed of heat dissipating, die-cast aluminum. The aluminum die-cast LED heat sink is threaded to fit the trim and transfer heat.

Mounting: Reflector includes friction blades to mount securely to housing.

OPTICS

Three field changeable optics (spot, narrow flood and flood) are included with each LED module. Premium 22° and 26° TIR optics are also available.

ELECTRICAL

Input Voltage: 120V

Lumens / Wattage: 950lm / 12W (750lm w/ Comfort Dim)

Color Temperature: 2700K, 3000K, 3500K, 4000K

Color Rendering Index: 90+CRI

Beam Spread: 28° Spot, 38° Narrow Flood, 53° Flood

Operating Temperature: 0°C to 25°C

Lifetime: 50,000 hours @ L70

Comfort Dim: Comfort Dim color tunes the temperature from a bright 3100K, to a romantic and comfortable 2000K on a gradual, even curve. Available in 750lm only.

Dimming: Triac (leading edge) or ELV (trailing edge)

[Click Here](#) or check complete dimmer list at www.NoraLighting.com in the "Compatibility" page under "Resources" tab

COMPATIBLE HOUSINGS

Pearl retrofits are compatible with most 4" IC and Non-IC housings by Nora and others.

Fire Box

[NFBIC-4LMRATA*](#) ICAT Dedicated LED

[NFBIC-4INCATA](#) ICAT Line Voltage

New Construction

[NSIC-4LMRAT*](#) Max. Adjustability ICAT Dedicated LED

[NHIC-4LMRAT*](#) ICAT Dedicated LED

[NHIC-4LMRAT/277*](#) ICAT Dedicated LED, 277V (includes step-down transformer)

[NSIC-401QAT](#) ICAT Line Voltage

[NS-401QAT](#) AT Line Voltage

[NHIC-4G24AT](#) ICAT GU24

Remodel

[NHRIC-4LMRAT*](#) ICAT Dedicated LED

[NSRIC-404QAT](#) ICAT Line Voltage

[NSR-404QAT](#) AT Line Voltage

* Nora Dedicated LED housings are cULus listed for use only with Nora LED Retrofits.

Retrofit: Pearl retrofit series includes medium base screw-socket adapter (NRA-211SM) for retrofitting into existing medium base downlight housings. GU24 socket adapter is available for use with GU24 housings, must specify NRA-212SM.

Accessories: Luminaires can accommodate (1) hex louver and (1) translucent deco collar or opaque snoot, no accessory holder is required, see accessories page.

LABELS AND LISTINGS

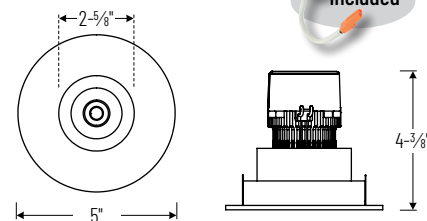
- cULus classified for Wet Locations
- ENERGY STAR certified
- RoHS compliant
- [5-Year Limited Warranty](#)
- Certified to the high efficacy requirements of California Title 24 JA8-2022



Performance Data			
Part Number	Lumens	CCT	Optic
NPR-4RPH30XWW	989lm	3000K	Spot
NPR-4RPH30XWW	983lm	3000K	Narrow
NPR-4RPH30XWW	951lm	3000K	Flood

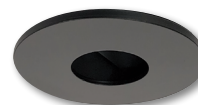
Delivered lumens will vary depending on CCT, optic and finish

PRODUCT IMAGES & DIMENSIONS



NPR-4RPH

Round Adjustable Pinhole
Non-Adjustable



BB
Black Pinhole
Black Flange



BMPW
Black Pinhole
Matte Powder White Flange



HZMPW
Haze Pinhole
Matte Powder White Flange



MPW
Matte Powder White Pinhole
Matte Powder White Flange

4" Pearl LED Round Fixed Pinhole Retrofit

Trim Type	Color Temperature	Finish
NPR-4RPH = Round Fixed Pinhole	27X = 2700K	BB = Black / Black
	30X = 3000K	BMPW = Black / Matte Powder White
	35X = 3500K	HZMPW = Haze / Matte Powder White
	40X = 4000K	MPW = Matte Powder White
	CDX = Comfort Dim	

Example: **NPR-4RPH27XMPW** = 4" Pearl LED Round Fixed Pinhole Retrofit, 2700K, Matte Powder White finish

4" Pearl LED Retrofit Accessories

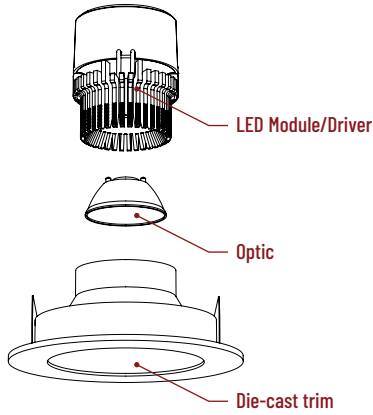
Pearl LED Round Fixed Pinhole Retrofit

Type
Project
Catalog No.
Notes

FIELD CHANGEABLE OPTICS

Pearl luminaires include spot, narrow flood and flood optics. Optics can be changed in the field by removing LED module from die-cast trim. Replacement optics include an optional frosted lens.

Note: Premium TIR optics are not compatible with Comfort Dim LED modules.



Frosted Filter-Optic

NIO-REFL38FR 60° Optic
NIO-REFL60FR 73° Optic

Replaces optics that are included with each LED module.



Premium TIR Optics

NIO-REFLTIR15 22° Optic
NIO-REFLTIR25 26° Optic

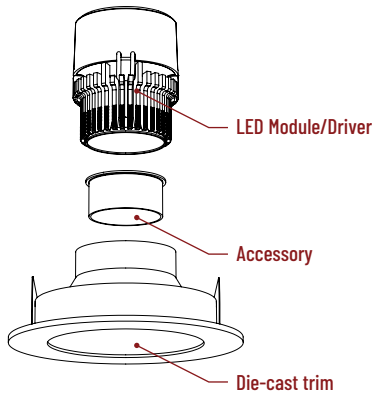
Premium TIR (total internal reflection) optics create optimal spot and narrow flood beam spread.

Not compatible with Comfort Dim (CDX) LED module

ACCESSORIES

Pearl accessories can be added at any point in the design process. Accessories easily install between LED module and die-cast trim.

Luminaire will accommodate (1) hex louver and (1) collar accessory, no accessory holder required.



Translucent Decorative Collar

NIO-AS14(color) 5/8" length
NIO-AS19(color) 3/4" length
NIO-AS26(color) 1" length
Color:
AM (amber), **BLU** (blue), **FR** (frosted), **R** (red)

Translucent collars color the aperture with the specified color while producing white general light. Collars are available in different lengths. Use to add interest, create a theme, match a theme or define a space.



Opaque Collar Snoot

NIO-AS14(color) 5/8" length
NIO-AS19(color) 3/4" length
NIO-AS26(color) 1" length
Color:
BLK (black), **MPW** (matte powder white), **WH** (white)

Opaque snoot greatly reduces aperture brightness while preserving light output. (Note: Black snoot will reduce light)



Hex Cell Louver

NIO-HC Black
 Hex cell louver subtly reduces aperture brightness by reducing light output by about 20%.

PHOTOMETRICS

4" Pearl LED Round Fixed Pinhole Retrofit

Type

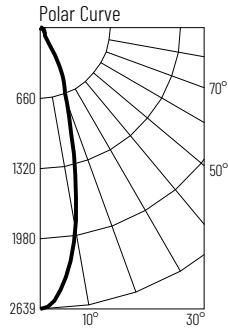
Project

Catalog No.

Notes

Test Information

Test Number: NTR1536
 Part Number: NPR-4PH30XXWW
 Beam Spread: 28° Spot
 Lumens: 989lm
 Wattage: 11.62W
 Efficacy: 85lpw
 CCT / CRI: 3000K / 90 CRI
 Spacing Criteria (0°-180): 0.48
 Spacing Criteria (90°-270): 0.48



Illuminance at a Distance

Distance from Luminaire	FC at Nadir	Beam Diameter
4'	165fc	2'
6'	73.3fc	3'-1"
8'	41.2fc	4'-1"
10'	26.4fc	5'-1"
12'	18.3fc	6'-1"

Zonal Lumen Summary

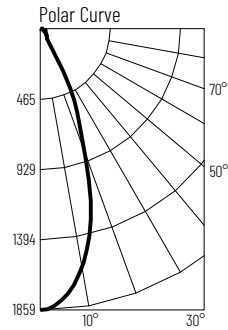
Zone	Lumens	% Luminaire
0-30	771	77.9
0-40	824	83.3
0-60	915	92.5
0-90	987	99.7
90-180	3	0.3
0-180	989	100

Candela Table

Vertical Angles	Candela
0	2639
5	2432
15	1221
25	514
35	80
45	61

Test Information

Test Number: NTR1537
 Part Number: NPR-4RPH30XXWW
 Beam Spread: 38° Narrow Flood
 Lumens: 983lm
 Wattage: 11.66W
 Efficacy: 84lpw
 CCT / CRI: 3000K / 90 CRI
 Spacing Criteria (0°-180): 0.64
 Spacing Criteria (90°-270): 0.64



Illuminance at a Distance

Distance from Luminaire	FC at Nadir	Beam Diameter
4'	116fc	2'-10"
6'	51.6fc	4'-2"
8'	29fc	5'-7"
10'	18.6fc	7'
12'	12.9fc	8'-4"

Zonal Lumen Summary

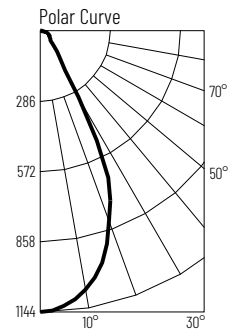
Zone	Lumens	% Luminaire
0-30	757	77
0-40	811	82.5
0-60	905	92.1
0-90	980	99.8
90-180	2	0.3
0-180	983	100

Candela Table

Vertical Angles	Candela
0	1859
5	1789
15	1305
25	557
35	80
45	61

Test Information

Test Number: NTR1538
 Part Number: NPR-4RPH30XXWW
 Beam Spread: 53° Flood
 Lumens: 951lm
 Wattage: 11.71W
 Efficacy: 81lpw
 CCT / CRI: 3000K / 90 CRI
 Spacing Criteria (0°-180): 0.86
 Spacing Criteria (90°-270): 0.86



Illuminance at a Distance

Distance from Luminaire	FC at Nadir	Beam Diameter
4'	71.5fc	4'
6'	31.8fc	6'
8'	17.9fc	7'-11"
10'	11.4fc	9'-11"
12'	8fc	11'-11"

Zonal Lumen Summary

Zone	Lumens	% Luminaire
0-30	658	69.2
0-40	764	80.3
0-60	867	91.1
0-90	949	99.8
90-180	2	0.2
0-180	951	100

Candela Table

Vertical Angles	Candela
0	1144
5	1124
15	978
25	660
35	151
45	72

Lumen Output Multipliers

Color Temperature: 2700K (0.97), 3000K (1.00), 3500K (1.05), 4000K (1.09)