

NI0B-2RG

2" Iolite Round Adjustable Surface Gimbal

Source: 14W LED

800lm or 1000lm

Type

Project

Catalog No.

Notes

PRODUCT DESCRIPTION

2" Iolite reflectors can be specified for use with Iolite new construction or remodel housings. Die-cast adjustable surface gimbals adjust to aim the light source in desired direction.

FEATURES

- 800lm / 14W or 1000lm / 14W
- 2700K, 3000K, 3500K, 4000K, 5000K @ 90+ CRI
- Cree® LED COB or Comfort Dim Technology
- 60° (Flood) optic installed, 38° (Narrow flood) and 25° (Spot) optics included
- 5-Year limited warranty

SPECIFICATION

Construction: Reflectors are constructed of heat dissipating, die-cast aluminum. The aluminum die-cast LED heat sink is threaded to fit the reflector and transfer heat.

Mounting: Reflector includes friction blades to mount securely to housing.

Field Changeable Optics: Each reflector comes with a 60° flood (installed), 38° narrow flood and 25° spot optics (included). Premium TIR optics are also available in 15° or 25°, see accessories page.

ELECTRICAL

Lumens / Wattage: 800lm or 1000lm / 14W

Color Temperature: 2700K, 3000K, 3500K, 4000K, 5000K

CRI: 90+CRI

Operating Temp.: 0°C to 40°C ambient temperature

Lifetime: 50,000 hours @ L70

Comfort Dim: Comfort Dim color tunes the temperature from a bright 3100K, to a romantic and comfortable 2000K on a gradual, even curve. Available in 800lm only.

Dimming: Specified by housing

COMPATIBLE HOUSINGS

Reflectors are compatible with respective Iolite housings manufactured by Nora Lighting.

CATALOG NO.	DESCRIPTION	LUMENS / WATTAGE
NH0ICD-28	ICAT New Construction	800-1000lm / 14W
NH0ICDCP-28	Chicago Plenum	800-1000lm / 14W
NHR0IC-28	IC Air-Tight Remodel	800-1000lm / 14W

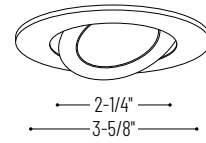
Accessories: Reflectors will accommodate (1) hex louver and (1) translucent deco collar or opaque snoot, no accessory holder is required, see accessories page. Flush mount mud ring is available to give the appearance of a trimless reflector, compatible with new construction housings only.

LABELS AND LISTINGS

- cULus Listed for Damp Locations
- ENERGY STAR certified
- [5-Year Limited Warranty](#)
- RoHS Compliant
- Can be used to comply with 2019 Title 24 - part 6 High Efficacy LED light source requirements



PRODUCT IMAGES & DIMENSIONS



NI0B-2RG

Round Adjustable Surface Gimbal

Adjustability:

New Construction: 30° / Remodel: 15°



BB
Black



BZ
Bronze



MPW
Matte Powder White



NN
Natural Metal



WW
White

2" Iolite Round Adjustable Surface Gimbal - Dedicated Housing Required

Reflector Type	Color Temp.	Finish	Lumens / Wattage
NI0B-2RG = Round Adjustable Surface Gimbal	27X = 2700K	BB = Black	(blank) = 800lm / 14W
	30X = 3000K	BZ = Bronze	/10 = 1000lm / 14W
	35X = 3500K	MPW = Matte Powder White	
	40X = 4000K	NN = Natural Metal	
	50X = 5000K	WW = White	
	CDX = Comfort Dim [†]		

[†] Comfort Dim technology available in 800lm & uses non-Cree COB modules. 1" & 2" Iolite uses a different dimming curve than 4" Comfort Dim

Compatible Housings

Housing Type
NH0ICD-28 = ICAT New Construction / 800-1000lm / 14W
NH0ICDCP-28 = Chicago Plenum / 800-1000lm / 14W
NHR0IC-28 = ICAT Remodel / 800-1000lm / 14W

Example: NI0B-2RG27XWW = 2" Iolite Round Adjustable Surface Gimbal, 2700K, White finish, 800lm

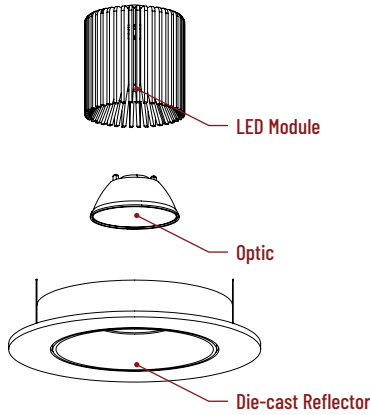
2" Iolite Accessories

2" Iolite Round Adjustable Surface Gimbal

Type	
Project	
Catalog No.	
Notes	

FIELD CHANGEABLE OPTICS

Iolite reflectors include 25°, 38° and 60° optics. Optics can be changed in the field by removing LED module from die-cast reflector. Replacement optics include an optional frosted lens.



Frosted Filter-Optic

NIO-REFL15FR	15° Optic
NIO-REFL25FR	25° Optic
NIO-REFL38FR	38° Optic
NIO-REFL60FR	60° Optic

Optic assembly includes optional frosted lens. 25°, 38° and 60° optics are included with each reflector.



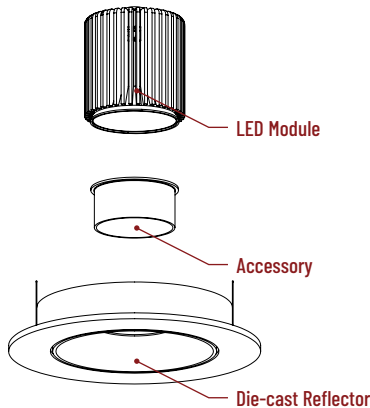
Premium TIR Optics

NIO-REFLTIR15	15° Optic
NIO-REFLTIR25	25° Optic

TIR optics are not compatible with Comfort Dim technology.

ACCESSORIES

Iolite accessories can be added at any point in the design process. Accessories easily install between LED module and die-cast reflector. Luminaire will accommodate (1) hex louver and (1) collar accessory, no accessory holder required.



Translucent Decorative Collar

NIO-AS14(color)	5/8" length
NIO-AS19(color)	3/4" length
NIO-AS26(color)	1" length
Color:	
AM (amber), BLU (blue), FR (frosted), R (red)	

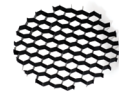
Translucent collars color the aperture with the specified color while producing white general light. Collars are available in different lengths. Use to add interest, create a theme, match a theme or define a space.



Opaque Collar Snoot

NIO-AS14(color)	5/8" length
NIO-AS19(color)	3/4" length
NIO-AS26(color)	1" length
Color:	
BLK (black), MPW (matte powder white), WH (white)	

Opaque snoot greatly reduces aperture brightness while preserving light output. (Note: Black snoot will reduce light)



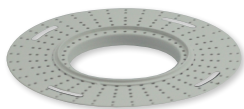
Hex Cell Louver

NIO-HC	Black
---------------	-------

Hex cell louver subtly reduces aperture brightness by reducing light output by about 20%.

FLUSH MOUNT

2" Iolite reflectors can be installed flush with the drywall for a flush mount appearance. A flush mount mud ring is installed after the drywall and a professional drywall finisher floats the ceiling to blend in the mud ring.



Flush Mount Mud Ring

NIO-FMMR-2R	Round Mud Ring
--------------------	----------------

Mounts trim flush to ceiling with reflector flange visible. Mud ring attaches to drywall. **Only for use with NH10ICD-28 or NH10ICDCP-28 new construction housings and NIOB-2R reflectors.** Dimensions: 7-7/8" diameter 1/2" thick