

# NIO-4STLND

## 4" Iolite Square Trimless Non-Adjustable Reflector

Source: 14W LED

800lm or 1000lm

Type

Project

Catalog No.

Notes

### PRODUCT DESCRIPTION

4" Trimless Iolite reflectors have no exposed trim flange and do not extend beyond the ceiling plane. Iolite Trimless requires a Trimless Mud Ring and New Construction housing. Deep regressed cone reflectors optimize visual cut-off.

### FEATURES

- Trimless knife edge appearance
- 800lm or 1000lm LED packages
- Cree® LED COB or Comfort Dim Technology
- 2700K, 3000K, 3500K, 4000K or 5000K @ 90+ CRI
- Flood optic, narrow flood and spot optics (included)
- 5-Year limited warranty

### SPECIFICATION

**Construction:** Trimless reflectors are constructed of heat dissipating, die-cast aluminum. The aluminum die-cast LED heat sink is threaded to fit the reflector and transfer heat.

**Mounting:** Reflector includes friction blades to mount securely to trimless mud ring. A trimless mud ring is required per reflector.

**Field Changeable Optics:** Each reflector comes with a flood, narrow flood and spot optics (included). Premium TIR optics are also available, see accessories page.

### ELECTRICAL

**Lumens / Wattage:** 800lm / 14W, 1000lm / 14W

**Color Temperature:** 2700K, 3000K, 3500K, 4000K, 5000K

**CRI:** 90+CRI

**Operating Temp.:** 0°C to 40°C ambient temperature

**Lifetime:** 50,000 hours @ L70

**Comfort Dim:** Comfort Dim color tunes the temperature from a bright 3100K, to a romantic and comfortable 2000K on a gradual, even curve. Available in 800lm only.

**Dimming:** Specified by housing

### COMPATIBLE HOUSINGS

Reflectors are compatible with respective Iolite housings manufactured by Nora Lighting.

#### CATALOG NO. DESCRIPTION

NHIOICD-48 4" IC Air-Tight New Construction

NHIOICDCP-48 4" Chicago Plenum New Construction

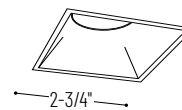
**Accessories:** Reflectors will accommodate (1) hex louver and (1) translucent deco collar or opaque snoot, no accessory holder is required, see page 3. A trimless mud ring is required per reflector.

### LABELS AND LISTINGS

- cULus Listed for Wet Locations
- ENERGY STAR certified
- [5-Year Limited Warranty](#)
- RoHS Compliant
- Can be used to comply with 2019 Title 24 - part 6 High Efficacy LED light source requirements



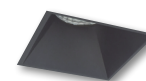
### PRODUCT IMAGES AND DIMENSIONS



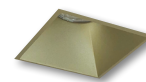
**NIO-4STLND**  
Square Trimless Reflector  
Non-Adjustable



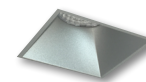
**BB**  
Black Reflector



**BZ**  
Bronze Reflector



**CH**  
Champagne Reflector



**HZ**  
Haze Reflector



**MPW**  
Matte Powder White Reflector



**WW**  
White Reflector

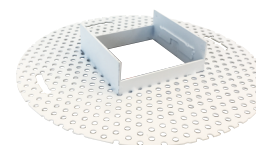
### 4" Iolite Square Trimless Reflector - New Construction Housing & Trimless Mud Ring Required

Reflector Type	Color Temp.	Finish	Lumens / Wattage
NIO-4STLND = Round Trimless	<b>27X</b> = 2700K	<b>BB</b> = Black	(blank) = 800lm / 14W
	<b>30X</b> = 3000K	<b>BZ</b> = Bronze	<b>/10</b> = 1000lm / 14W
	<b>35X</b> = 3500K	<b>CH</b> = Champagne Haze	
	<b>40X</b> = 4000K	<b>HZ</b> = Haze	
	<b>50X</b> = 5000K	<b>MPW</b> = Matte Powder White	
	<b>CDX</b> = Comfort Dim <sup>†</sup>	<b>WW</b> = White	

<sup>†</sup> Comfort Dim technology available in 800lm & uses non-Cree COB modules. 1" & 2" Iolite uses a different dimming curve than 4" Comfort Dim

### 4" Iolite Trimless Mud Ring

Description  
**NIO-TLMR-4S** = 4" Square Trimless Mud Ring



Example: NIO-4STLND27XWW / NIO-TLMR-4S = 4" Iolite Square Trimless Non-Adjustable Reflector, 2700K, White finish, 800lm / 4" Square Trimless Mud Ring

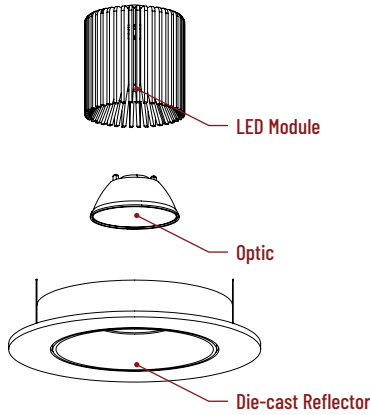
# 4" Iolite Accessories

## 4" Iolite Round Trimless Non-Adjustable Reflector

Type	
Project	
Catalog No.	
Notes	

### FIELD CHANGEABLE OPTICS

Iolite reflectors include 25°, 38° and 60° optics. Optics can be changed in the field by removing LED module from die-cast reflector. Replacement optics include an optional frosted lens.



Frosted Filter-Optic

<b>NIO-REFL15FR</b>	15° Optic
<b>NIO-REFL25FR</b>	25° Optic
<b>NIO-REFL38FR</b>	38° Optic
<b>NIO-REFL60FR</b>	60° Optic

Optic assembly includes optional frosted lens. 25°, 38° and 60° optics are included with each reflector.



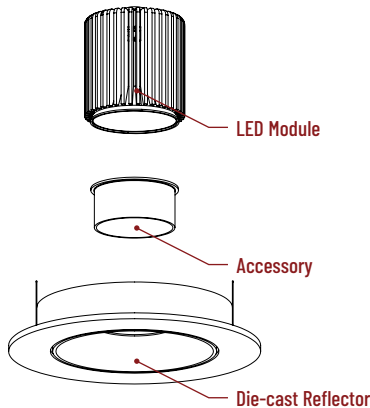
Premium TIR Optics

<b>NIO-REFLTIR15</b>	15° Optic
<b>NIO-REFLTIR25</b>	25° Optic

TIR optics are not compatible with Comfort Dim technology.

### ACCESSORIES

Iolite accessories can be added at any point in the design process. Accessories easily install between LED module and die-cast reflector. Luminaire will accommodate (1) hex louver and (1) collar accessory, no accessory holder required.



Translucent Decorative Collar

<b>NIO-AS14(color)</b>	5/8" length
<b>NIO-AS19(color)</b>	3/4" length
<b>NIO-AS26(color)</b>	1" length
<b>Color:</b>	
<b>AM</b> (amber), <b>BLU</b> (blue), <b>FR</b> (frosted), <b>R</b> (red)	

Translucent collars color the aperture with the specified color while producing white general light. Collars are available in different lengths. Use to add interest, create a theme, match a theme or define a space.



Opaque Collar Snoot

<b>NIO-AS14(color)</b>	5/8" length
<b>NIO-AS19(color)</b>	3/4" length
<b>NIO-AS26(color)</b>	1" length
<b>Color:</b>	
<b>BLK</b> (black), <b>MPW</b> (matte powder white), <b>WH</b> (white)	

Opaque snoot greatly reduces aperture brightness while preserving light output. (Note: Black snoot will reduce light)



Hex Cell Louver

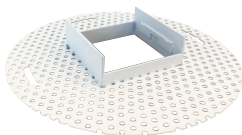
<b>NIO-HC</b>	Black
---------------	-------

Hex cell louver subtly reduces aperture brightness by reducing light output by about 20%.

### TRIMLESS

4" Iolite trimless reflectors have no exposed trim flange and the result is a minimalist knife edge appearance. A trimless mount mud ring is installed after the drywall and a professional drywall finisher floats the ceiling to blend in the mud ring.

Trimless Mount Mud Ring



<b>NIO-TLMR-4S</b>	Square Mud Ring
--------------------	-----------------

Mounts trimless reflector with no exposed flange and no extension beyond ceiling plane. Mud ring attaches to drywall. **Only for use with NH10ICD-48 or NH10ICDCP-48 new construction housings and NIO-4RTL reflectors.** Dimensions: 7-7/8" diameter 1/2" thick