

# NHIC-928LMRAT

## 6" Super Slope IC Air-Tight LED Dedicated New Construction Housing

Type

Project

Catalog No.

Notes

### PRODUCT DESCRIPTION

Dedicated new construction housing for pitched ceilings ranging from 7/12 (30°) to 12/12 (45°). Air-tight housing additionally reduces energy costs by decreasing the flow of air escaping through the ceiling. Rated for direct contact with insulation and adjacent ceiling structures.

### FEATURES

- IC Air-Tight energy saving by reducing the flow of air through the ceiling
- Rated for direct contact with insulation
- Quick connect provided for electrical connection to the LED reflectors
- cULus listed for damp location and through branch circuit wiring
- Quick connect provided for electrical connection to the LED reflectors
- 24-1/2" bar hangers with captive nails and alignment foot
- Accommodates ceiling pitches from 7/12 to 12/12
- Fits in 2" x 8" joist construction

### CONSTRUCTION

**Plaster Frame:** High quality 0.035 steel die cut one piece frame. Integral brackets and winguts enable housing to be adjusted for 7/12 to 12/12 ceiling pitch. Accommodates ceiling thicknesses from 5/8" to 1".

**Housing:** 0.035 steel housing. Riveted wrap and dome cap construction. Integral fold-out torsion spring brackets. Knockouts near top of housing provided for coil springs.

**Air Flow Restriction:** Housing has factory installed gaskets to restrict airflow from room into ceiling plenum to <2CFM (cubic feet per minute) in accordance with ASTM-283 Air-Tight requirements.

**Clearance:** "IC" Insulated ceiling housings are direct contact rated. Not to be used in direct contact with spray foam insulation.

**Bar Hangers:** Two 13-3/4" to 24-1/2" adjustable bar hangers with captive nails are included on frame. Bar hangers are parallel to junction box, but can be repositioned 90° perpendicular to junction box if desired. "L" Shaped bar hanger foot to align to bottom of construction joist. A T-Bar notch allow for easy installation in a suspended ceiling.

**Junction Box:** Prewired 25 cubic inch 0.064" thick galvanized steel with seven 1/2" trade size knockouts and four Romex pryouts and snap on covers. All leads are #18AWG wire, the ground wire is connected to the bottom, and quick connectors are supplied on all leads. Maximum of 8 no. 12 AWG through branch circuit conductors suitable for at least 90°C permitted in junction box.

### ELECTRICAL

**Input Voltage:** 120/277V

**Socket:** Quick connect for LED luminaires

**Operating Temperature:** 122°F (50°C) max.

**Dimming:** Specified by luminaire

### COMPATIBILITY

[NLR5-6S11](#) - Super Sloped Retrofit Reflector

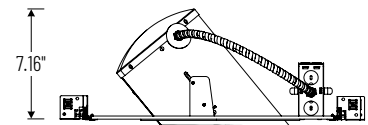
[NLR5-6S12](#) - Super Sloped Retrofit Baffle

### LABELS AND LISTINGS

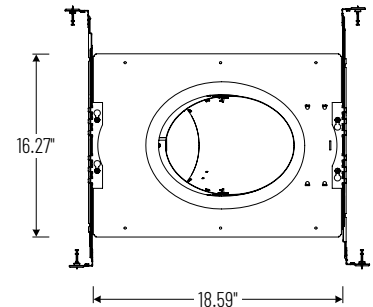
- cULus Listed for Damp Location
- Meets or exceeds ASTM-283 Air-Tight requirements
- Certified to the high efficacy requirements of California Title 24 JA8-2022 (when used with compatible downlight)



### PRODUCT IMAGES & DIMENSIONS



6-1/2" x 7"  
Ceiling Cut-Out



## 6" Super Slope IC Air-Tight LED Dedicated New Construction Housing

Catalog No.

**NHIC-928LMRAT** = 6" Super Slope LED Dedicated IC Air-Tight Housing, 120/277V input (120V Triac/ELV dimming)

Example: **NHIC-928LMRAT** = 6" Super Slope IC Air-Tight LED Dedicated New Construction Housing, 120/277V input