

### Why EnVision LED?

- Di-Cast Aluminum Heat Sync Optimizes Heat Dissipation
- Powder Coated With an Oil Base for a Smooth Finish
- COB Chip With LM of 98% After 6,000 Hrs
- Strict Chip Binning Ensures Color Consistency
- 24 Hour Test for Each Fixture Prior to Packaging

### **THE SNAP TRIM™**

**CUT. CONNECT. SNAP.**

## 2" SNAPTRIM ADJUSTABLE J-BOX DOWNLIGHT

And just like that... the recessed can is gone. EnVision LED has developed a 2" LED Downlight, available in a straight or adjustable version, that eliminates the need for a can. The external remote junction box mounts inside the ceiling and the fixture is IC Rated. EnVisions 2" downlight can be adjusted after installation. By reducing material cost and installation time, the EnVision SnapTrim is the ideal retrofit or new construction recessed lighting solution yet.

### Applications:

- Recessed Downlighting
- New Construction or Remodel

### Product Information:

- Easy install spring clips with J-Box built in eliminates can
- Ready to replace existing 35w halogens
- Dimmable: Compatible with most dimmers down to 5%
- Only 1.5 inches thick: fit in tight ceiling areas
- IC and Airtight rated fixture
- Suitable for damp location
- 5 Year Limited Warranty

Type	Model	Volt	Watt	Lumen	Color	CRI	Beam Spread
2INCH	LED-DLJBXADJ-2-5W-27K	120V	5W	350	Soft- 2700k	>90	36°
2INCH	LED-DLJBXADJ-2-5W-30K	120V	5W	350	Warm- 3000k	>90	36°
2INCH	LED-DLJBXADJ-2-5W-40K	120V	5W	350	Cool- 4000k	>90	36°
2INCH	LED-DLJBXADJ-2-5W-50K	120V	5W	350	Day- 5000k	>90	36°

## 2" SNAPTRIM ADJUSTABLE J-BOX DOWNLIGHT

### OPTIONAL ACCESSORIES



Item #: CUNV-NC-ICAT

#### New Construction Plate

Makes new construction installation easier. Universal plate compatible for 2", 4", 6" trims with J-Boxes.



Item #: JBX-JUMP-(4'/10'/20')

#### Connector Extension Cord

Extension cord in between driver and downlight. Available in 4', 10', 20' lengths.

DIMMER COMPATIBILITY				
Brand	Series	Model	Load	Dimmability
Lutron	Ariadni	AYCL-153P	150W	OK
	Diva	DV-600PR	600W	OK
	Diva	DVCL-153P	150W	OK
	Maestro	MACL-153MH	600W	OK
	Maestro Wireless	MRF2-6CL	150W	OK
	Rotary	D-600P	600W	OK
	Electronic(ELV)	NTELV-300P	600W	OK
	Skylark	S-600P	600W	OK
	Skylark Contour	CT-600P	600W	OK
	Skylark Contour	CTCL-153P	150W	OK
Leviton	Toggler	TG-600P	600W	OK
	Toggler	TGCL-153P	150W	OK
	Sureslide	6633	600W	OK
	Sureslide Decora	6674	600W	20-100%
Legrand	Trimatron	6602	600W	20-100%
	ILLVMATECH	IPL06	600W	OK
Cooper	Adorne	ADTP703TU	700W	20-100%
	Harmony	H703PTW	700W	OK
Cooper	Aspire	9540	1000W	OK
	Devine	DAL06P	300W	OK

### FEATURES

#### Multiple Color Options

Choose from 2700k, 3000k, 4000k, 5000k.

#### Adjustable Trim

30° Tilt with 360° Rotation

#### Drywall Clip

Eliminates the recessed can. Clips right into the drywall.

#### Driver

2" 8W External Driver (Junction Box)

#### Durable Construction

High quality aluminum trim and heat sync.

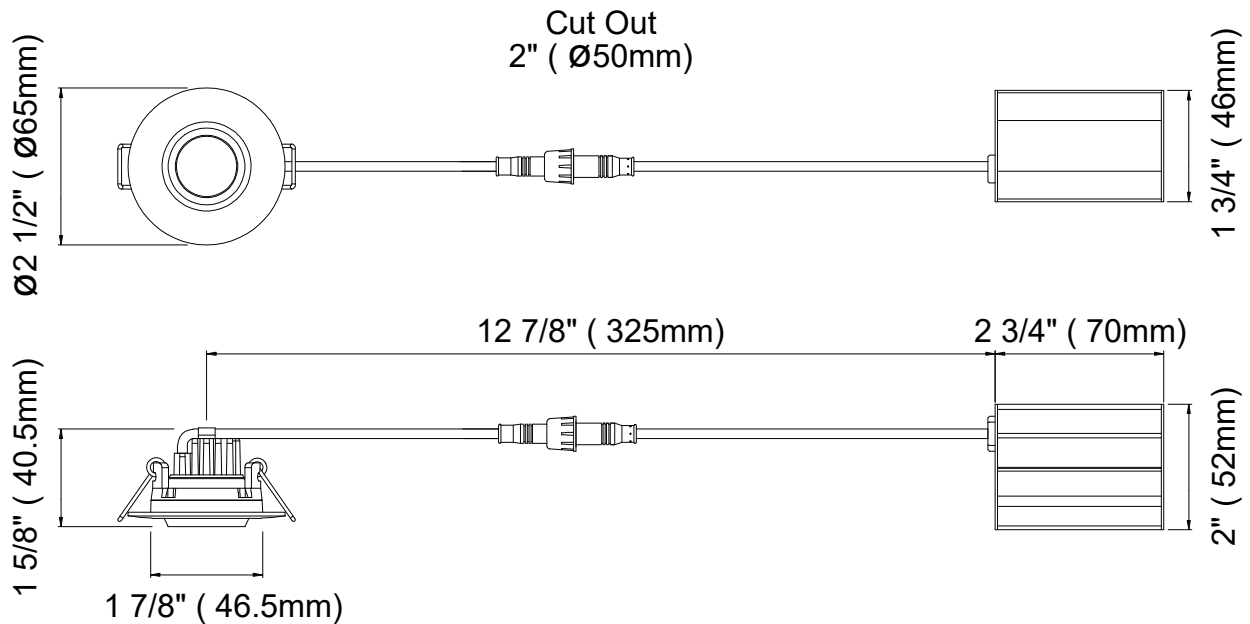
#### Easy Installation

Twist and lock connector makes connection to the J-Box easy and secure.

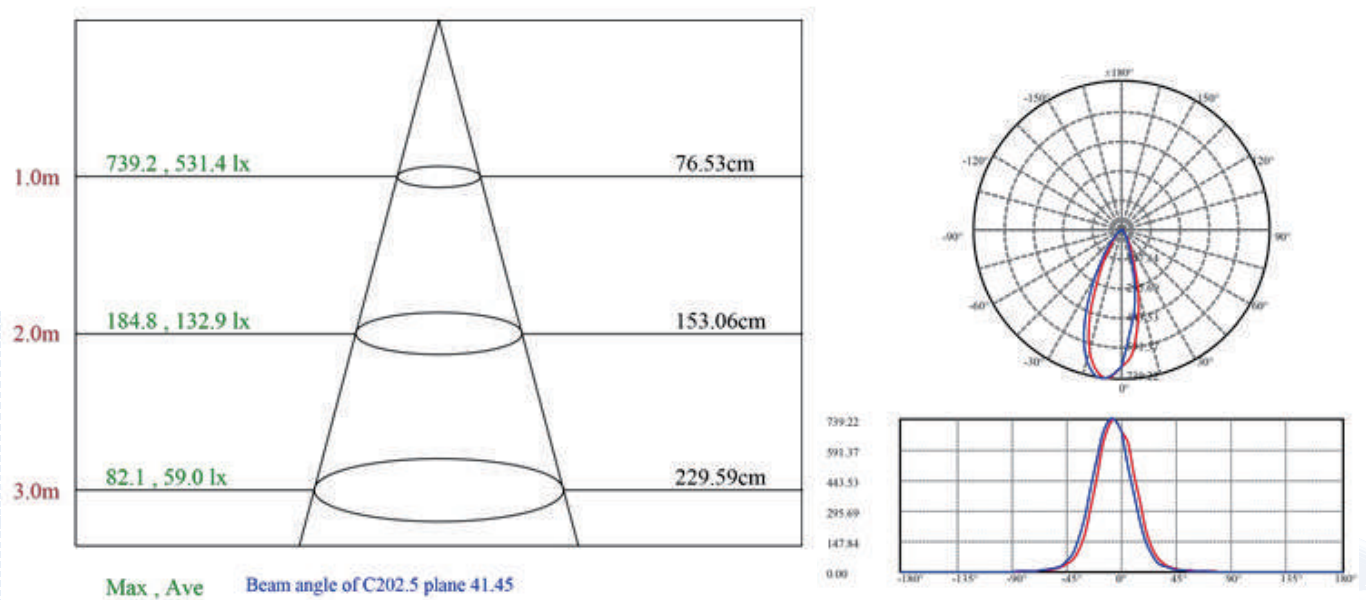
#### 36° Specialty Narrow Flood Optic

## 2" SNAPTRIM ADJUSTABLE J-BOX DOWNLIGHT

### DIMENSIONS



### PHOTOMETRICS



**Power Factor: 0.95**

**LM/W: 85**

**Lumens: 378**

**Central Intensity: 677D**