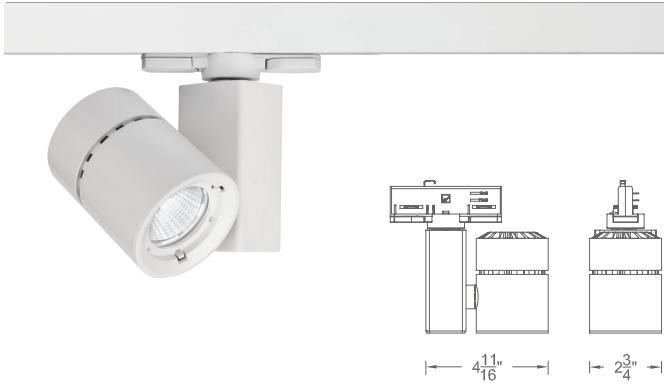


EXTERMINATOR II

W Track Luminaire - 1023

WAC



Fixture Type:

Catalog Number:

Project: _____

Location: _____

PRODUCT DESCRIPTION

Exterminator II offers superior light output in a small, unobtrusive design. Developed for upscale residential and commercial environments.

FEATURES

- Accommodates one lens accessory and one glare control accessory
- 365° horizontal rotation and 180° vertical aiming
- 50,000 hour rated life
- 5 year WAC Lighting product warranty

SPECIFICATIONS

- Construction:** Die-cast aluminum with removable front cap for easy change of lenses or accessories
- Power Consumption:** 1023S: 22W; 1023N/F: 24W
- Light Source:** High output COB LED
- Input:** WTK 120VAC; WHK 277VAC 50/60 Hz
- Dimming:** WTK: 100%-1% Electronic Low Voltage (ELV), and TRIAC
- Finish:** Powder coated Black and White
- Standards:** ETL&cETL Dry Location Listed, Energy Star® 2.0 rated, Title 24 JA8 Compliant.

ORDER NUMBER

System	Beam	Color Temp	CRI	Lumens	CBCP	Finish
WTK 120V WHK 277V	1023S 12°	827 2700K 85 1545 11625				BK Black WT White
		927 2700K 90 1275 9600				
		830 3000K 85 1640 12350				
		930 3000K 90 1335 10030				
		835 3500K 85 1680 12650				
		840 4000K 85 1690 12725				
	1023N 21°	827 2700K 85 2115 9810				
		927 2700K 90 1750 8100				
		830 3000K 85 2250 10425				
		930 3000K 90 1825 8465				
		835 3500K 85 2305 10675				
		840 4000K 85 2315 10730				
	1023F 39°	827 2700K 85 2045 4575				
		927 2700K 90 1690 3780				
		830 3000K 85 2175 4860				
		930 3000K 90 1765 3950				
		835 3500K 85 2225 4980				
		840 4000K 85 2235 5000				

LENS ACCESSORIES

LENS-16-AMB	Amber
LENS-16-BLU	Blue
LENS-16-GRN	Green
LENS-16-RED	Red
LENS-16-UVF	UV Filter
LENS-16-FR	Frosted
LENS-16-SPR	Spread
LENS-16-BEL	Beam Elongating

GLARE CONTROL - CROSS LOUVER

LENS-16P-CRL-BK	Black
LENS-16P-CRL-WT	White

GLARE CONTROL - SNOOT

LENS-16-SNOOT-BK	Black
LENS-16-SNOOT-WT	White

- - -

Example: WTK-1023N-930-WT

wacighting.com Headquarters, East Manufacturing Facility South East Manufacturing Facility Central Manufacturing Facility West Manufacturing Facility
 Phone (800) 526.2588 44 Harbor Park Drive 1600 Distribution Ct 1700 South J Elmer Freeway, Ste 100 1750 S Archibald Ave
 Fax (800) 526.2585 Port Washington, NY 11050 Lithia Springs, GA 30122 Cedar Hill, TX 75104 Ontario, CA 91761