

# Pex™ 3" Round Adjustable Reflector Wall Wash

Pex™ precision die-cast adjustable trims with Twist-&-Lock system for easy Koto™ Module installation



## Features

- 3" Round Adjustable Reflector Wall Wash.
- 45° Adjustability
- 4 3/8" O.D.
- Convenient twist-lock design for easy installation.
- Lamp: Koto™ LED Module.
- Recommended to be used with Maximum Adjustability Housings

## Technical Details

**Construction:** Diecast aluminum with a powder coated finish.

**Installation:** Twist-lock design allows for easy mounting onto the Koto™ LED Module.

**Compatible Housing:** Compatible with 3" housings.

With ELK07 & ELK09 Module:

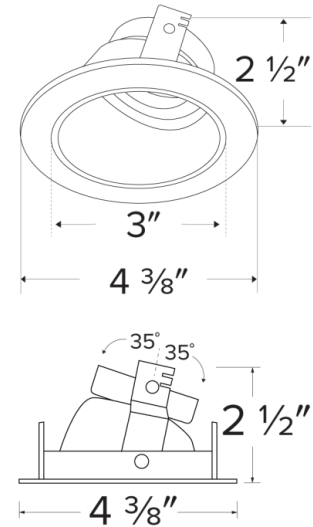
- EL386ICA, EL390ICA, EL390ICA-EM5, EL390RICA & EL39FICA

With ELK19 & ELK21 Module:

- E3LK76ICA, E3LK77ICAD, E3LK65ICA, E3LK65ICA-EM1, E3LK66ICAD, E3LK66ICAD-EM1, E3LK65RICA, E3LK39FICA & E3LK39FICAD

**Lamp:** Koto™ LED Module.

## Dimensions



## Product Numbers

Item	Finish
ELK3622W	All White

## Product Number Builder Example: ELK3622W

Pex™ 3" Round Adjustable Reflector Wall Wash Finish

ELK3622	
---------	--

W White

# Compatible Products



For use with Koto™ System 3" Trims

## Koto™ LED Module



**ELK07, ELK09**  
Koto™ LED Module

PRODUCT NUMBER BUILDER			
Koto™ LED Module	Lumens	Color Temperature	Beam Angle
<b>ELK</b>	<b>07</b> 750 lm <b>09</b> 950 lm	<b>27</b> 2700K <b>30</b> 3000K <b>35</b> 3500K <b>40</b> 4000K <b>SD</b> Sunset Dimming	<b>(blank)</b> 38° lens (Standard) <b>-S</b> 18° lens <b>-N</b> 25° lens <b>-W</b> 60° lens

### ACCESSORIES



**Lens**  
**EP731C** 18° Lens  
**EP732C** 25° Lens  
**EP734C** 60° Lens



**Reflectors**  
**EP735C** 15°  
**EP736C** 25°  
**EP737C** 38°  
**EP738C** 60°



**Hex Louver**  
**L45**  
For a better glare shield



**Linear Louver**  
**L46**  
For a wide rectangular illumination pattern



**Spread Louver**  
**L47**  
For a symmetrical broadening of light beams

## 3" Koto™ Dedicated LED ICA Housings



2-Hour Fire Rated  
3" ICA Housing - 7 3/4" Height  
**New Construction**



3" ICA Maximum Adjustability  
Housing - 5 1/2" Height  
**New Construction**



3" ICA Housing - 5 1/2" Height  
**New Construction**

CAT NO.	SPECIFICATIONS
EL39FICA	Sound Rated

CAT NO.	SPECIFICATIONS
EL386ICA	Maximum Adjustability

CAT NO.	SPECIFICATIONS
EL390ICA	
EL390ICA-EM5	Emergency Battery Back-up (90 minutes)



3" ICA Housing - 5 1/2" Height  
**Remodel**

CAT NO.	SPECIFICATIONS
EL390RICA	

# Compatible Products



For use with Koto™ System 3" Trims

## Koto™ Architectural LED Light Engine



**ELK19 ELK21**  
Koto™ LED Light Engine

PRODUCT NUMBER BUILDER			
Koto™ LED Light Engine	Lumens	Color Temperature	Beam Angle
<b>ELK</b>			
	<b>19</b> 850 lm	<b>27D</b> 2700K	<b>(blank)</b> 38° lens (Standard)
	<b>21</b> 1100 lm	<b>30D</b> 3000K	<b>-S</b> 18° lens
		<b>35D</b> 3500K	<b>-N</b> 25° lens
		<b>40D</b> 4000K	<b>-W</b> 60° lens
		<b>SDD</b> Sunset Dimming	

### ACCESSORIES



**Lens**  
**EP731C** 18° Lens  
**EP732C** 25° Lens  
**EP734C** 60° Lens



**Reflectors**  
**EP735C** 15°  
**EP736C** 25°  
**EP737C** 38°  
**EP738C** 60°



**Hex Louver**  
**L45**  
For a better glare shield



**Linear Louver**  
**L46**  
For a wide rectangular illumination pattern



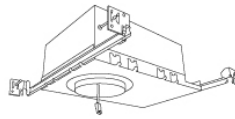
**Spread Louver**  
**L47**  
For a symmetrical broadening of light beams

## 3" Architectural Koto™ LED ICA Recessed Housings



2-Hour Fire Rated  
4" ICA Housing - 7 1/2" Height  
**New Construction**

CAT NO.	SPECIFICATIONS
ELK72FICA	120V - Triac/ELV
ELK73FICAD	120/277V - 0-10V/Triac/ELV



3" ICA Shallow Maximum Adjustability Housing  
4" Height - Easy-to-Remove Driver  
**New Construction**

CAT NO.	SPECIFICATIONS
E3LK76ICA	120V - Triac/ELV
E3LK77ICAD	120/277V - 0-10V/Triac/ELV



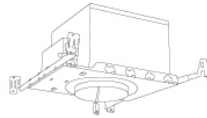
3" ICA Housing - 5 1/2" Height  
**New Construction**

CAT NO.	SPECIFICATIONS
E3LK65ICA	120V - Triac/ELV
E3LK65ICA-EM1	120V - Triac/ELV Emergency Battery Back-up (90 min)
E3LK66ICAD	120/277V 0-10V/Triac/ELV
E3LK66ICAD-EM1	120/277V 0-10V/Triac/ELV Emergency Battery Back-up (90 minute)



4" ICA Housing - 5 1/2" Height  
**Remodel**

CAT NO.	SPECIFICATIONS
E3LK65RICA	120V - Triac/ELV



3" ICA High Lumen Housing (1500 lm)  
5 1/2" Height - Easy-to-Remove Driver  
**New Construction**

CAT NO.	SPECIFICATIONS
E3LK85ICAD	120/277V - 0-10V/Triac/ELV