

EL760RICA

6" Line Voltage Remodel
Housing for LED Inserts

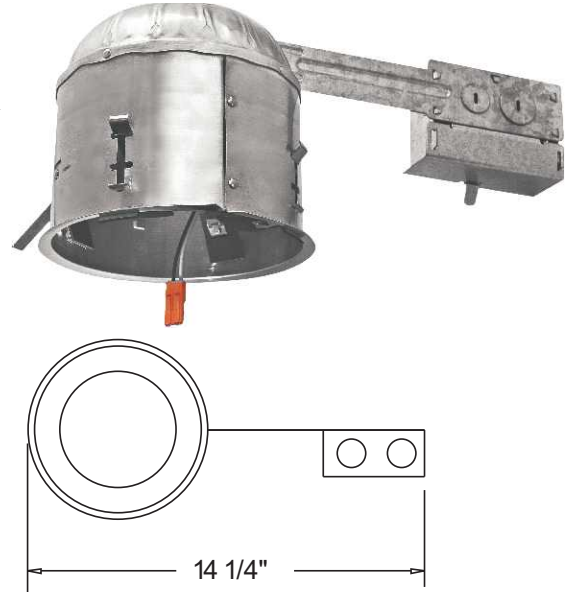
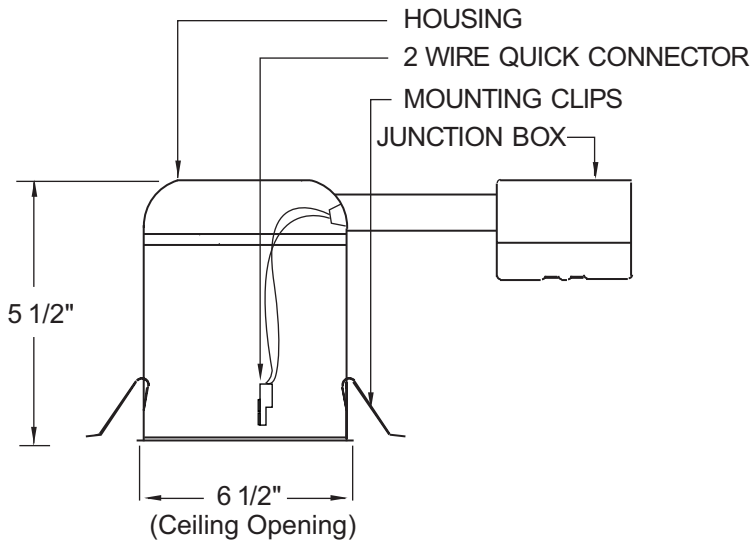
PROJECT INFORMATION:

Project Name: _____

Fixture Type: _____

Date: _____

DIMENSIONS



PRODUCT SPECIFICATIONS

- Single wall IC construction, for use in insulated ceilings.
- 5 1/2" height allows for use in 2 x 6 construction.
- Adjustable housing accommodates up to 1 1/4" ceiling thickness.
- Housing meets restricted air flow requirement (per ASTM E-283).

Lamp: 24W Max 120V

Lamp Holder: 2-wire quick connect terminal connector.

- Labels:** U.L. listed for damp locations
U.L. listed for feed through
U.L. listed for direct contact with insulation
- CA Title 24 compliant (as high efficacy luminaire).
 - Trims sold separately.

COMPATIBLE INSERT LIST

- **Insert specification sheets available on Elcolighting.com**
- EL61030, EL61040, EL61130, EL61140, EL61330, EL61530, EL66130, EL66230, EL69730
- ELSF1030, ELSF1040, ELSF1130

INSTALLATION

Junction Box: Pre-wired junction box provided with 1/2" and 3/4" knockouts. Maximum (8) No. 12 AWG branch circuit conductors (4 in, 4 out). Junction box provided with removable access plates.

Mounting: (4) remodel clips secure housing and accommodate various ceiling thicknesses.

Mounting Frame: Stamped galvanized steel construction for corrosion resistance

CATALOG NUMBER

Example: EL760RICA

See trims page for variety of trims available