

EL66230W

6" LED Square Insert



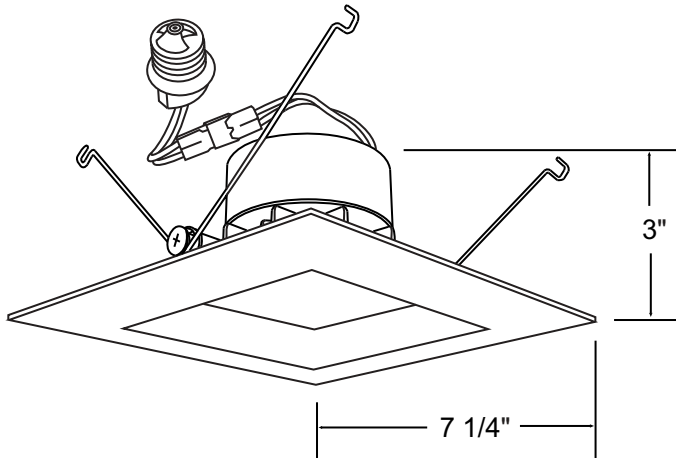
PROJECT INFORMATION:

Project Name: _____

Fixture Type: _____

Date: _____

DIMENSIONS



PRODUCT SPECIFICATIONS

- Suitable for use in fixtures installed in insulated ceilings.
- Suitable for installation in tall and shallow cans.
- Suitable for new construction and remodel housings.
- Suitable for installation into a 6" recessed fixtures with 2-wire connector.
- Suitable for installation into a 6" recessed fixtures with medium base socket, using PSA30 adaptor (included)
- Housing meets restricted air flow requirement (per ASTM E-283).
- CA Title 24 compliant.
- Meets ENERGY STAR requirements.

Lamp: LED COB chip CRI 90

EL66230W: 15W 3000°K, 1100 lm

LED Driver: 120V AC, dimmable

Life-span: 50,000 hours

Labels: U.L. listed for wet locations

Warranty: 5 years limited

CATALOG NUMBER

Example: EL66230W