

# EL39730B EL39730W

3" LED Pull Down Insert Kit



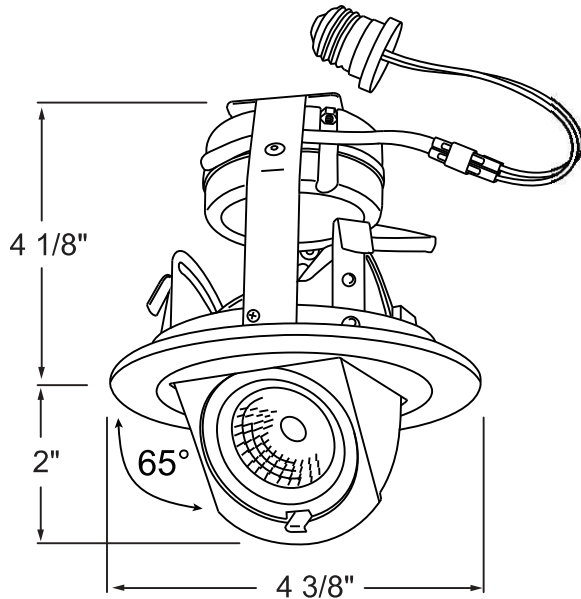
## PROJECT INFORMATION:

Project Name: \_\_\_\_\_

Fixture Type: \_\_\_\_\_

Date: \_\_\_\_\_

## DIMENSIONS



## PRODUCT SPECIFICATIONS

- Suitable for use in fixtures installed in insulated ceilings
- Suitable for installation into a 3" recessed fixtures with 2-wire connector.
- Suitable for installation into a 3" recessed fixtures with medium base socket, using PSA30 adaptor (included).
- 65° tilt, 356° rotation
- Housing meets restricted air flow requirement (per ASTM E-283).
- CA Title 24 compliant.
- Meets ENERGY STAR requirements.

**Lamp:** LED CREE COB chip CRI90

**EL39730:** 13W, 3000°K, 840 lm, beam angle 36°

**LED Driver:** 120V AC dimmable

**Life-span:** 50,000 hours

**Labels:** UL listed

**Warranty:** 5 years limited

## CATALOG NUMBER

**Example:** EL39730B (Black)  
EL39730W (White)