

4" Remodel IC Airtight Housing w/Driver - E4LRC

IC Airtight remodel housing for high-end residential and light commercial, 850 lumens.



Features

- UL Listed for direct contact with insulation.
- Optional 90 minutes, 120/277 VAC, 60Hz, Emergency Backup.
- ENERGY STAR® Certified.
- Flicker-Free Dimming. Special order Lutron Hi-lume Series Drivers.
- USA designed and assembled.
- Limited 5 year warranty.
- For use with ELCO Cedar™ System 4" LED Light Engines.

Technical Details

Construction:

- Single wall IC rated for direct contact with insulation. For use in IC and non-IC conditions. Up to 850 lumens.
- Airtight housing with gasket to restrict airflow in accordance with ASTM E-283 air-tight requirements.

Installation:

- Designed for ceiling plenums where 2x6 joists or taller are used.
- Suitable for T-grid and drop ceiling applications.
- See installation sheet for detailed information.

Junction Box: Positioned to accommodate straight conduit runs. Two 3/4" knockouts, Seven 1/2" trade size conduit knockouts, One 3/8" knockout. Four Pry-out knockout slots for easy romex installation.

Electrical:

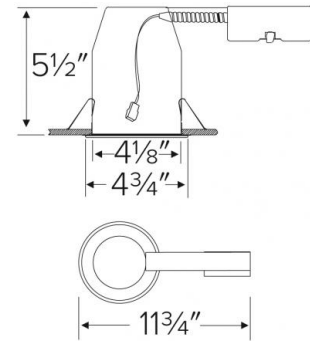
- Driver is rated for 120V and 277V input (120/277V).
- High Efficiency driver with a power factor > 0.95.

Dimmability:

- 3 in 1 dimming: Triac, ELV and 0-10V dimming in one driver.
- 0-10V dimming down to 1% with compatible dimmer.
- Can be specified with Lutron drivers for specific applications.
- For full list of dimmers refer to the Dimmer Compatibility List.

Listings: UL Listed for Damp Location and for Wet Location with select trims. UL Listed for Direct Contact with Insulation and Combustible Material. UL Listed for Feed Through.

Dimensions



Product Numbers

Item	Lumens	Voltage	Dimming
E4LRC08ICA	850 lm	120V	Triac/ELV
E4LRC08ICAD	850 lm	120/277V	Triac/ELV/0-10V
E4LRC08ICASD	850 lm	120/277V	Sunset
E4LRC08ICAL	850 lm	120/277V	Lutron EcoSystem

Product Number Builder Example: E4LRC08ICA

ELCO Cedar 4" Remodel Housing	Lumens	IC Airtight	Dimming	Optional
E4LRC	08 850 lm	ICA ICA	(Blank) 120V Triac/ELV D 120/277V Triac/ELV/0-10V SD Sunset L Lutron EcoSystem	No EM EM1 Emer. Backup up to 700 lm EM2 Emer. Backup to 1100 lm