

4" LED Light Engine with Square on Square Baffle Trim - E415C

The perfect lighting solution for high-end residential and light commercial projects.



Features

- High efficacy LED module.
- Triac/ELV/0-10V dimming.
- Must be used with ELCO 4" Cedar™ System Housings.
- Frosted acrylic module lens for even lumen distribution.
- Life span of 50,000 hours L70.
- USA designed and assembled.
- Limited 5 year warranty.

Specifications

| | |
|----------------------|------------------|
| Wattage | 8.76W - 18W |
| Lumens | 850 lm - 1600 lm |
| Color Temp. | 2700K - SunsetK |
| Lamp Type | LED |
| Beam Angle | 60° |
| CRI | 93+ |
| Damp Location | Listed |

Options



All White



All Bronze

Technical Details

Optics: Frosted polycarbonate module lens diffuses light evenly throughout while reducing glare with LED technology.

Trim Construction: Reflector is two piece trim for maximum color versatility. Design allows for minimal glare and a strong glare cut-off. Trim is constructed of metal for lasting durability.

Installation: Must be installed on a Cedar™ System housing with compatible lumen rating. Frames are available for New Construction and Remodel as IC or non-IC.

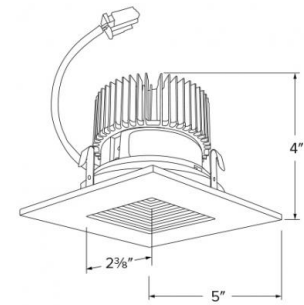
LED Technology:

- Extremely accurate Color Rendering Index of 93+.
- Efficacy of 97 lumens per watt.
- Lumen Maintenance of 50,000 hours L70 Life based on LM80 standardized test results.
- Superior Thermal Management by utilizing ELCO Red heat sink.
- Instant On to Full Brightness technology.
- No LED pixilation.

Listings:

- UL Listed for Wet Location.
- RoHS Compliant.
- ENERGY STAR® Certified.

Dimensions



Product Numbers

| Item | Lamp type | Lumens | CCT | Watts | Beam Angle |
|--------------------------------|-----------|---------|---------|--------|------------|
| E415C0827W, E415C0827BZ | LED | 850 lm | 2700K | 8.76W | 60° |
| E415C0830W, E415C0830BZ | LED | 850 lm | 3000K | 8.76W | 60° |
| E415C0835W, E415C0835BZ | LED | 850 lm | 3500K | 8.76W | 60° |
| E415C0840W, E415C0840BZ | LED | 850 lm | 4000K | 8.76W | 60° |
| E415C08SDW, E415C08SDBZ | LED | 850 lm | SunsetK | 8.76W | 60° |
| E415C1227W, E415C1227BZ | LED | 1250 lm | 2700K | 12.88W | 60° |
| E415C1230W, E415C1230BZ | LED | 1250 lm | 3000K | 12.88W | 60° |
| E415C1235W, E415C1235BZ | LED | 1250 lm | 3500K | 12.88W | 60° |
| E415C1240W, E415C1240BZ | LED | 1250 lm | 4000K | 12.88W | 60° |

| Item | Lamp type | Lumens | CCT | Watts | Beam Angle |
|--------------------------------|-----------|---------|---------|--------|------------|
| E415C12SDW, E415C12SDBZ | LED | 1250 lm | SunsetK | 12.88W | 60° |
| E415C1627W, E415C1627BZ | LED | 1600 lm | 2700K | 18W | 60° |
| E415C1630W, E415C1630BZ | LED | 1600 lm | 3000K | 18W | 60° |
| E415C1635W, E415C1635BZ | LED | 1600 lm | 3500K | 18W | 60° |
| E415C1640W, E415C1640BZ | LED | 1600 lm | 4000K | 18W | 60° |
| E415C16SDW, E415C16SDBZ | LED | 1600 lm | SunsetK | 18W | 60° |

Product Number Builder Example: **E415C0827W, E415C0827BZ**

| ELCO 4" Square on Square Baffle | Lumens | Color Temp. | Finish |
|---------------------------------|--|--|--|
| E415C | | | |
| | 08 850 lm 12 1250 lm 16 1600 lm | 27 2700K 30 3000K 35 3500K 40 4000K SD Sunset | W All White BZ All Bronze |