

4" LED Light Engine with Baffle Trim - E414C

The perfect lighting solution for high-end residential and light commercial projects.



Features

- High efficacy LED module.
- Triac/ELV/0-10V dimming.
- Must be used with ELCO 4" Cedar™ System Housings.
- Frosted acrylic module lens for even lumen distribution.
- Life span of 50,000 hours L70.
- USA designed and assembled.
- Limited 5 year warranty.

Specifications

Wattage	8.76W - 18W
Lumens	850 lm - 1600 lm
Color Temp.	2700K - SunsetK
Lamp Type	LED
Beam Angle	60°
CRI	93+
Damp Location	Listed

Options



Black w/White ring



All Bronze



All White

Technical Details

Optics: Frosted polycarbonate module lens diffuses light evenly throughout while reducing glare with LED technology.

Trim Construction: Reflector is two piece trim for maximum color versatility. Design allows for minimal glare and a strong glare cut-off. Trim is constructed of metal for lasting durability.

Installation: Must be installed on a Cedar™ System housing with compatible lumen rating. Frames are available for New Construction and Remodel as IC or non-IC.

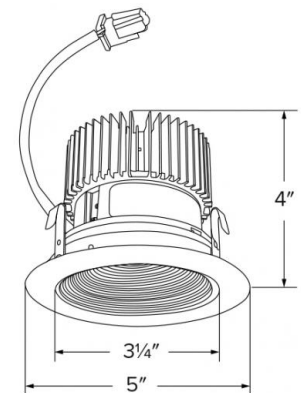
LED Technology:

- Extremely accurate Color Rendering Index of 93+.
- Efficacy of 97 lumens per watt.
- Lumen Maintenance of 50,000 hours L70 Life based on LM80 standardized test results.
- Superior Thermal Management by utilizing ELCO Red heat sink.
- Instant On to Full Brightness technology.
- No LED pixilation.

Listings:

- UL Listed for Wet Location.
- RoHS Compliant.
- ENERGY STAR® Certified.

Dimensions



Product Numbers

Item	Lamp type	Lumens	CCT	Watts	Beam Angle
E414C0827W, E414C0827BZ, E414C0827B	LED	850 lm	2700K	8.76W	60°
E414C0830W, E414C0830BZ, E414C0830B	LED	850 lm	3000K	8.76W	60°
E414C0835W, E414C0835BZ, E414C0835B	LED	850 lm	3500K	8.76W	60°
E414C0840W, E414C0840BZ, E414C0840B	LED	850 lm	4000K	8.76W	60°
E414C08SDW, E414C08SDB, E414C08SDBZ	LED	850 lm	SunsetK	8.76W	60°

Item	Lamp type	Lumens	CCT	Watts	Beam Angle
E414C1227W, E414C1227BZ, E414C1227B	LED	1250 lm	2700K	12.88W	60°
E414C1230W, E414C1230BZ, E414C1230B	LED	1250 lm	3000K	12.88W	60°
E414C1235W, E414C1235BZ, E414C1235B	LED	1250 lm	3500K	12.88W	60°
E414C1240W, E414C1240BZ, E414C1240B	LED	1250 lm	4000K	12.88W	60°
E414C125DW, E414C125DB, E414C125DBZ	LED	1250 lm	SunsetK	12.88W	60°
E414C1627W, E414C1627B, E414C1627BZ	LED	1600 lm	2700K	18W	60°
E414C1630W, E414C1630B, E414C1630BZ	LED	1600 lm	3000K	18W	60°
E414C1635W, E414C1635B, E414C1635BZ	LED	1600 lm	3500K	18W	60°
E414C1640W, E414C1640B, E414C1640BZ	LED	1600 lm	4000K	18W	60°
E414C165DW, E414C165DB, E414C165DBZ	LED	1600 lm	SunsetK	18W	60°

Product Number Builder Example: **E414C0827W, E414C0827BZ, E414C0827B**

ELCO 4" Baffle	Lumens	Color Temp.	Finish
E414C	08 850 lm 12 1250 lm 16 1600 lm	27 2700K 30 3000K 35 3500K 40 4000K SD Sunset	W All White BZ All Bronze B Black w/White Ring