

4" LED Light Engine with Drop Glass Reflector Trim - E412C

The perfect lighting solution for high-end residential and light commercial projects.



Features

- High efficacy LED module.
- Triac/ELV/0-10V dimming.
- Must be used with ELCO 4" Cedar™ System Housings.
- Frosted acrylic module lens for even lumen distribution.
- Life span of 50,000 hours L70.
- USA designed and assembled.
- Limited 5 year warranty.

Specifications

Wattage	8.76W - 18W
Lumens	850 lm - 1600 lm
Color Temp.	2700K - SusnetK
Lamp Type	LED
Beam Angle	60°
CRI	93+
Damp Location	Listed

Options



Black w/White ring



All Bronze



Chrome w/White ring



Chrome w/Nickel ring



Haze w/White ring



All White



All Black

Technical Details

Optics: Frosted polycarbonate module lens diffuses light evenly throughout while reducing glare with LED technology.

Trim Construction: Reflector is two piece trim for maximum color versatility. Design allows for minimal glare and a strong glare cut-off. Trim is constructed of metal for lasting durability.

Installation: Must be installed on a Cedar™ System housing with compatible lumen rating. Frames are available for New Construction and Remodel as IC or non-IC.

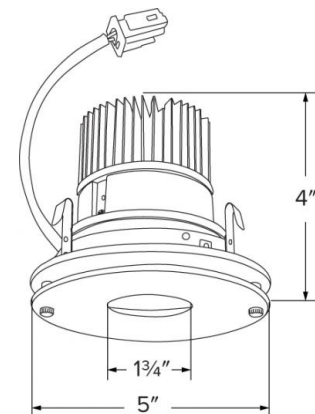
LED Technology:

- Extremely accurate Color Rendering Index of 93+.
- Efficacy of 97 lumens per watt.
- Lumen Maintenance of 50,000 hours L70 Life based on LM80 standardized test results.
- Superior Thermal Management by utilizing ELCO Red heat sink.
- Instant On to Full Brightness technology.
- No LED pixilation.

Listings:

- UL Listed for Wet Location.
- RoHS Compliant.
- ENERGY STAR® Certified.

Dimensions



Product Numbers

Item	Lamp type	Lumens	CCT	Watts	Beam Angle
E412C0827W, E412C0827BZ, E412C0827H, E412C0827C, E412C0827B, E412C0827MW, E412C0827MB, E412C0827BB	LED	850 lm	2700K	8.76W	60°
E412C0830W, E412C0830BZ, E412C0830H, E412C0830C, E412C0830B, E412C0830MW, E412C0830MB, E412C0830BB	LED	850 lm	3000K	8.76W	60°
E412C0835W, E412C0835BZ, E412C0835H, E412C0835C, E412C0835B, E412C0835MW, E412C0835MB, E412C0835BB	LED	850 lm	3500K	8.76W	60°
E412C0840W, E412C0840BZ, E412C0840H, E412C0840C, E412C0840B, E412C0840MW, E412C0840MB, E412C0840BB	LED	850 lm	4000K	8.76W	60°
E412C08SDW, E412C08SDB, E412C08SDC, E412C08SDH, E412C08SDBZ, E412C08SDBB, E412C08SDMW, E412C08SDMB	LED	850 lm	SunsetK	8.76W	60°
E412C1227W, E412C1227BZ, E412C1227H, E412C1227C, E412C1227B, E412C1227MW, E412C1227MB, E412C1227BB	LED	1250 lm	2700K	12.88W	60°
E412C1230W, E412C1230BZ, E412C1230H, E412C1230C, E412C1230B, E412C1230MW, E412C1230MB, E412C1230BB	LED	1250 lm	3000K	12.88W	60°
E412C1235W, E412C1235BZ, E412C1235H, E412C1235C, E412C1235B, E412C1235MW, E412C1235MB, E412C1235BB	LED	1250 lm	3500K	12.88W	60°
E412C1240W, E412C1240BZ, E412C1240H, E412C1240C, E412C1240B, E412C1240MW, E412C1240MB, E412C1240BB	LED	1250 lm	4000K	12.88W	60°
E412C12SDW, E412C12SDB, E412C12SDC, E412C12SDH, E412C12SDBZ, E412C12SDBB, E412C12SDMW, E412C12SDMB	LED	1250 lm	SusnetK	12.88W	60°

Item	Lamp type	Lumens	CCT	Watts	Beam Angle
E412C1627W, E412C1627B, E412C1627C, E412C1627H, E412C1627BZ, E412C1627BB, E412C1627MW, E412C1627MB	LED	1600 lm	2700K	18W	60°
E412C1630W, E412C1630B, E412C1630C, E412C1630H, E412C1630BZ, E412C1630BB, E412C1630MW, E412C1630MB	LED	1600 lm	3000K	18W	60°
E412C1635W, E412C1635B, E412C1635C, E412C1635H, E412C1635BZ, E412C1635BB, E412C163MW, E412C1635MB	LED	1600 lm	3500K	18W	60°
E412C1640W, E412C1640B, E412C1640C, E412C1640H, E412C1640BZ, E412C1640BB, E412C1640MW, E412C1640MB	LED	1600 lm	4000K	18W	60°
E412C16SDW, E412C16SDB, E412C16SDC, E412C16SDH, E412C16SDBZ, E412C16SDBB, E412C16SDMW, E412C16SDBB	LED	1600 lm	SunsetK	18W	60°

Product Number Builder Example: **E412C0827W, E412C0827BZ, E412C0827H, E412C0827C, E412C0827B, E412C0827MW, E412C0827MB, E412C0827BB**

ELCO 4" Drop Glass Reflector	Lumens	Color Temp.	Finish
E412C	08 850 lm 12 1250 lm 16 1600 lm	27 2700K 30 3000K 35 3500K 40 4000K SD Sunset	W All White BZ All Bronze H Haze w/White Ring C Chrome w/White Ring B Black w/White Ring MW Matte White MB Matte Black BB All Black