

2" SnapTrim Downlight

5 CCT Selectable: 27/30/35/40/50K
Warm Dimmer: 18/30K

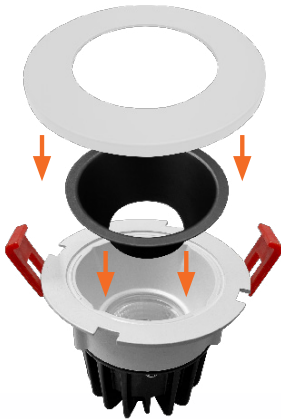
EnVision LED has developed a 2" LED Downlight, available in a straight or adjustable version, that eliminates the need for a can. The external remote junction box mounts inside the ceiling and the fixture is IC rated. EnVisions 2" downlight features a deep architectural 1.5" baffle reflector that reduces glare and eliminates hot spots. By reducing material cost and installation time, the EnVision SnapTrim is the ideal retrofit or new construction recessed lighting solution yet. Simply cut a hole in the ceiling, power the J-Box to the wall switch and "snap" the trim flush.



8W



15W



Mix & Match
Inner & Outer
Trim Styles

Detail Specification:

- Wet Location Rated
- CRI 90 COB LED Chip, R9>50
- 120V Driver
- 38° Beam Angle
- Operating Temperature: 0°F ~ +113°F
- PF >0.9

Applications:

- Residential or Commercial Lighting
- New Construction or Remodel Use
- General Recessed Lighting

Product Information:

- Di-cast aluminum housing for better heat dissipation
- Available in white, black, bronze, brushed nickel finish
- SnapTrim Vanless: Spring clips with j-box eliminates can
- Optional Emergency Backup Available: delivers full lumens in EM mode
- L70 @ 50,000 Hours lumen maintenance

Mounting:

- No can needed in remodel applications, tension clip springs clamp into 1/2" to 1.5" thick ceiling
- Pre-wired junction box with circuit wiring built in (3 inc / 3 out)
- New construction rough-in plate or mounting plate with joist bars available

Certifications:

- ETL Listed for USA and CA
- Energy Star Certified
- IC Rated and ASTM-E283 Air-Tight
- CA Title 24 JA8-2019 CEC Listed
- FCC CFR 47, FCC Part 15, Subpart B:2017
- 5 Year EnVision LED Limited Warranty

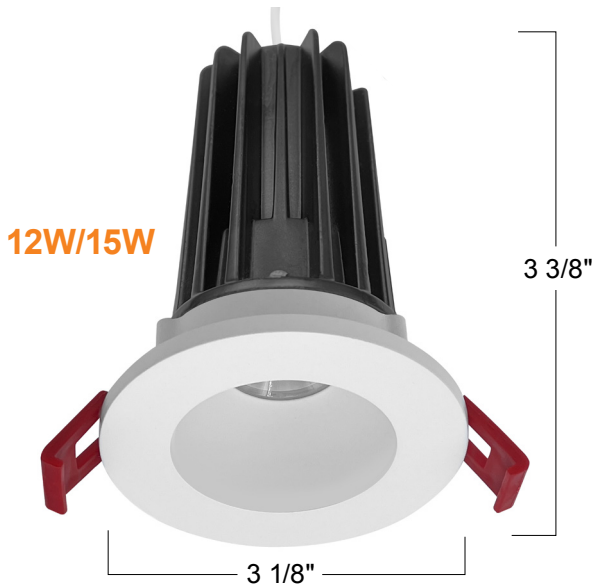
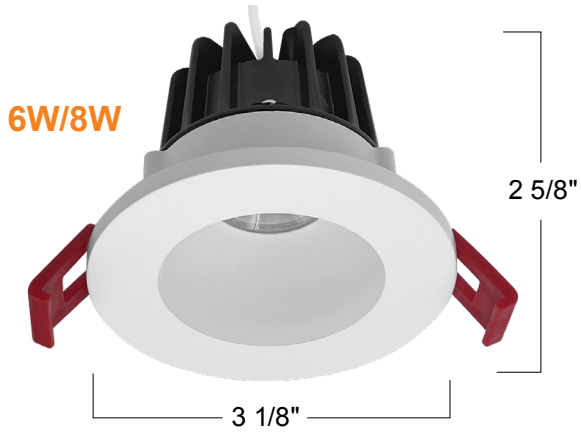
What's Included:

- LED Fixture
- Junction Box Mounting Plate
- Mounting Screws
- Installation Guide
- Cut Out Template

LED-DLJBX-2	Watts	Color	Trims	Accessory	EMB	Warranty
1	3	4	5	6	7	8

1 Product	2 Size	3 Watts	4 Color	5 Trims	6 Accessory	7 EMB	8 Warranty
LED-DLJBX	2 Inches	WD 6W 450lm 12W 850lm 5CCT 8W 600lm 15W 1000lm	3WD 30/18K 5CCT 27/30/35 40/50K 27K 2700K 30K 3000K 40K 4000K 50K 5000K	CH-S Smooth Chrome BN-S Brushed Nickel BZ-S Smooth Bronze BZ-BFL Baffled Bronze BLK-S Smooth Black BLK-BFL Baffled Black WH-S Smooth White WH-BFL Baffled White	BN-S-SQ Brushed Nickel Smooth Square BL-S-SQ Black Smooth Square Trim BZ-SQ Bronze Smooth Square Trim WH-S-SQ White Smooth Square Trim	CUNV Universal Mounting Plate EXT-6 6' Extension Cable EXT-10 10' Extension Cable SWF Wi-Fi-Control	Emergency Backup (Blank) 5 Years (incl.) 10YR 10 Years

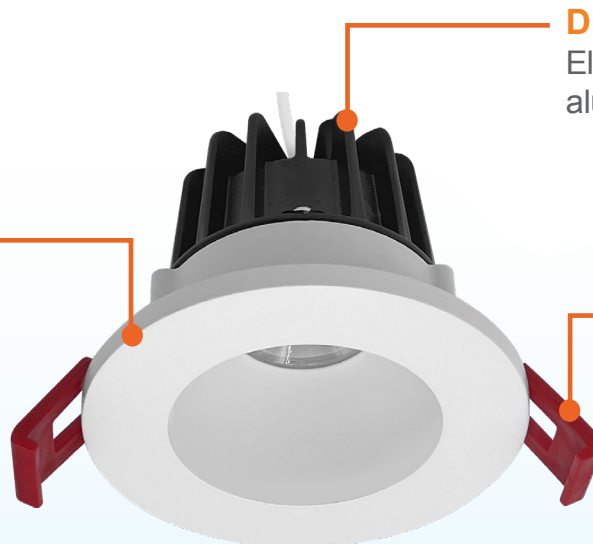
Specs and model numbers are subject to change with or without notice, available accessories on Page 3



DIMMER COMPATIBILITY				
Brand	Series	Model	Load	Dimmability
Lutron	Ariadni	AYCL-153P	150W	OK
Lutron	Diva	DV-600PR	600W	OK
Lutron	Diva	DVCL-153P	150W	OK
Lutron	Maestro	MACL-153MH	600W	OK
Lutron	Maestro Wireless	MRF2-6CL	150W	OK
Lutron	Rotary	D-600P	600W	OK
Lutron	Electronic (ELV)	NTELV-300P	600W	OK
Lutron	Skylark	S-600P	600W	OK
Lutron	Skylark Contour	CT-600P	600W	OK
Lutron	Skylark Contour	CTCL-153P	150W	OK
Lutron	Toggler	TG-600P	600W	OK
Lutron	Toggler	TGCL-153P	150W	OK
Leviton	Sureslide	6633	600W	OK
Leviton	Sureslide Decora	6674	600W	OK
Leviton	Trimatron	6672	600W	OK
Leviton	Sureslide	6613	600W	OK
Legrand	Adorne	DLV703	700W	20-100%
Legrand	Harmony	H703PTW	700W	OK
Cooper	Aspire	9530	1000W	OK
Cooper	Devine	DAL03P	300W	OK

Customizable Appearance

Interchangeable faceplates allow the fixture stylistic flexibility



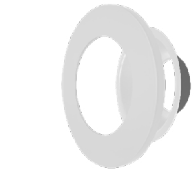
Durable Aluminum Body

Eliminate heat with a diecast aluminum heatsink

Easy Installation

Tension spring clips hold the fixture in place without the need for a recessed can

OPTIONAL ACCESSORIES



White (-WH-S)
Included
(-WH-BFL)



Black (-BLK-S)
(BLK-BFL)



Bronze (-BZ-S)
(BZ-BFL)



Chrome (-CH-S)



Nickel (-BN-S)



White (-WH-S)
(WH-BFL)



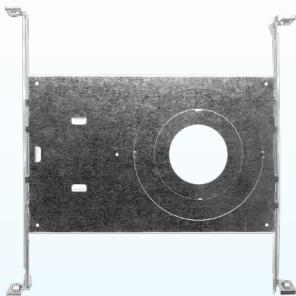
Black (-BLK-S)
(BLK-BFL)



Bronze (-BZ-S)
(BZ-BFL)



Nickel (-BN-S)



CUNV-NC-ICAT
Universal Pre-Mounting Plate



LED-EMB
Emergency Backup



JBX-9W
High Voltage Driver



JBX-EXT
Extension Cable (6'/10')

Fixture Model	Voltage	Watts	Lumens	Color	CRI
LED-DLJBX-2-6W-3WD-W/W-S	120V	6W	450	30K-18K	>90
LED-DLJBX-2-8W-5CCT-WW-SM	120V	8W	600	27/30/35/40/50k	>90
LED-DLJBX-2-12W-3WD-W/W-S	120V	12W	850	30K-18K	>90
LED-DLJBX-2-15W-5CCT-W/W-S	120V	15W	1000	27/30/35/40/50k	>90
LED-DLJBX-2-15W-27K-W/W-S	120V	15W	1000	2700k	>90
LED-DLJBX-2-15W-30K-W/W-S	120V	15W	1000	3000k	>90
LED-DLJBX-2-15W-40K-W/W-S	120V	15W	1000	4000k	>90
LED-DLJBX-2-15W-50K-W/W-S	120V	15W	1000	5000k	>90

Trim Model	Description
DLJBX-2-TRIM-BLK-S	2" Black In and Out Smooth Trim
DLJBX-2-TRIM-BL-BFL	2" Black In and Out Baffle Trim
DLJBX-2-TRIM-BZ-S	2" Bronze In and Out Smooth Trim
DLJBX-2-TRIM-BZ-BFL	2" Bronze In and Out Baffle Trim
DLJBX-2-TRIM-BN-S	2" Brushed Nickel In and Out Smooth Trim
DLJBX-2-TRIM-CH-S	2" Chrome In and Out Smooth Trim
DLJBX-2-TRIM-WH-BFL	2" White In and Out Baffle Trim
DLJBX-2-TRIM-BN-S-SQ	2" Brushed Nickel Smooth Square Trim
DLJBX-2-TRIM-BL-S-SQ	2" Black Smooth Square Trim
DLJBX-2-TRIM-BZ-SQ	2" Bronze Smooth Square Trim
DLJBX-2-TRIM-WH-S-SQ	2" White Smooth Square Trim

Accessory Model	Description
CUNV-NC-ICAT	2/4/6" New Construction Plate
LED-EMB-25W/HV-0/10V	Battery Backup (25W HV Single Flex)
JBX-9W-277-347V	200-347V Driver for 9W Fixture
JBX-EXT-6'	6' Extension Cable
JBX-EXT-10'	10' Extension Cable

2" SnapTrim Downlight - Installation Guide

LED-DLJBX-2-8W/15W

INSTALLATION INSTRUCTIONS PREPARATION

Read all instructions before installation fixtures. Retain for future reference.

Safety: For your safety, this fixture must be wired in accordance to local electrical codes and ordinances. All work should be done by a qualified electrician.

WARNING: Make certain power is OFF from the electrical panel before starting installation or attempting any maintenance. Indoor installation only.

Pre-Installation: Locate a suitable position to plate the fixture and open in accordance to the cut-hole dimensions (refer to Hole Cut Table for appropriate size, see page 2). Run electrical wire from the switch (power supply) through the mounting hole-use NMD90 Romex or BX cable.

Tools Required: Saw, Measuring Tape, Electrical Wiring (use type and gauge suitable for application to connect the fixtures)

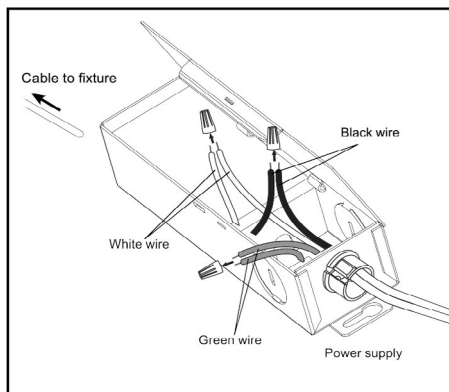


Image 1

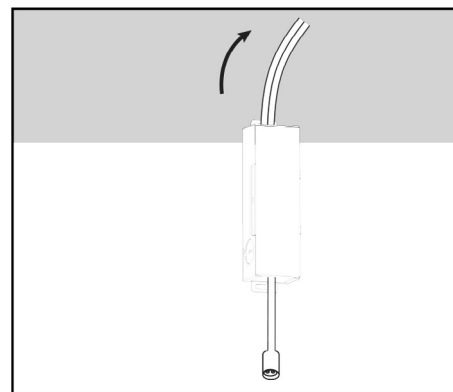


Image 2

DRIVER WIRING

Step 1: Open the hardwire box swing cover and remove the appropriate knockout(s).

Step 2: Insert the electrical supply cable through the knockout and secure with a cable connector.

Step 3: Using wire nuts, connect green ground wire of cable to green wire on box. Connect white wire of cable to white wire of box. Connect black wire of cable to black wire of box (Image #1)

Step 4: Place all wiring and connections back in to the box and close the cover.

Step 5: Insert hardwire box through the mounting hole (Image #2)

New Construction Applications: Hardwire box shall be firmly secured to studs, joists, or similar fixed structural units.

Remodel Applications: Do not require the hardwire box to be firmly secured after the mounting plates, studs, joists, or structural units have been concealed.

2" SnapTrim Downlight - Installation Guide

LED-DLJBX-2-8W/15W

INSTALLATION INSTRUCTIONS FIXTURE INSTALLATION

Tools Required: Saw, Measuring Tape, Electrical Wiring (use type and gauge suitable for application to connect the fixtures)

Step 1: Connect the fixture to the hardwire box by inserting and twisting the male/female connectors (Image #3)

Step 2: Push spring loaded clips on the fixture upwards and insert fixture base in to the mounting hole. Release the clips and fixture will be pulled flush to the ceiling. (Image #4)

Step 3: Once assembly is complete, turn on power to confirm fixture is working properly.

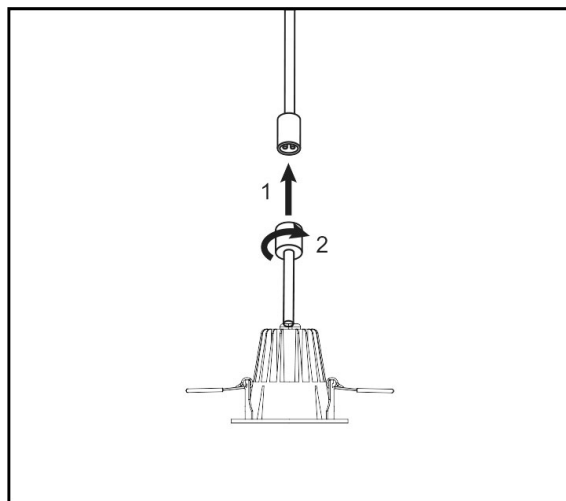


Image 3

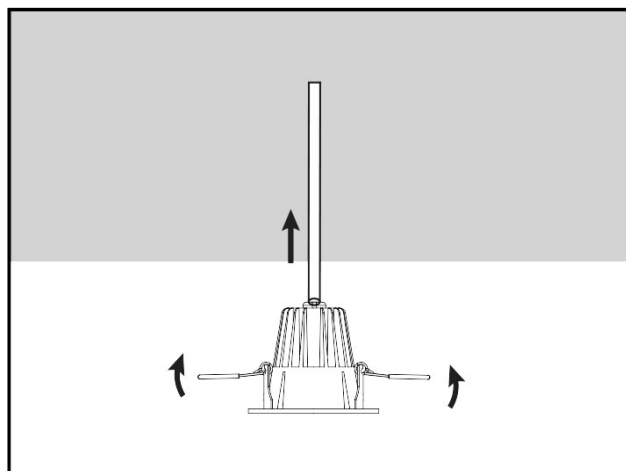


Image 4

Hole Cut Size

LED-DLJBX-2-8W-27K-W/W-S	
LED-DLJBX-2-8W-30K-W/W-S	
LED-DLJBX-2-8W-40K-W/W-S	
LED-DLJBX-2-8W-50K-W/W-S	Ø2-3/4(Ø70mm)
LED-DLJBX-2-15W-27K-W/W-S	
LED-DLJBX-2-15W-30K-W/W-S	
LED-DLJBX-2-15W-40K-W/W-S	
LED-DLJBX-2-15W-50K-W/W-S	