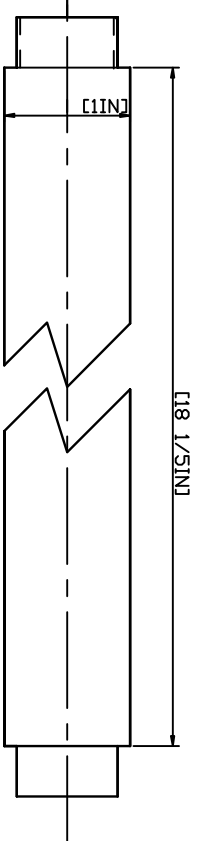
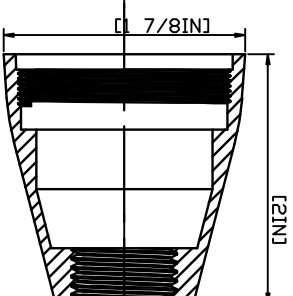
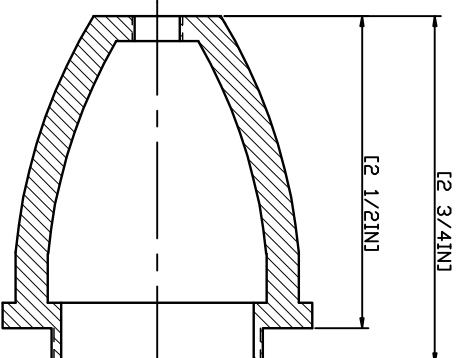
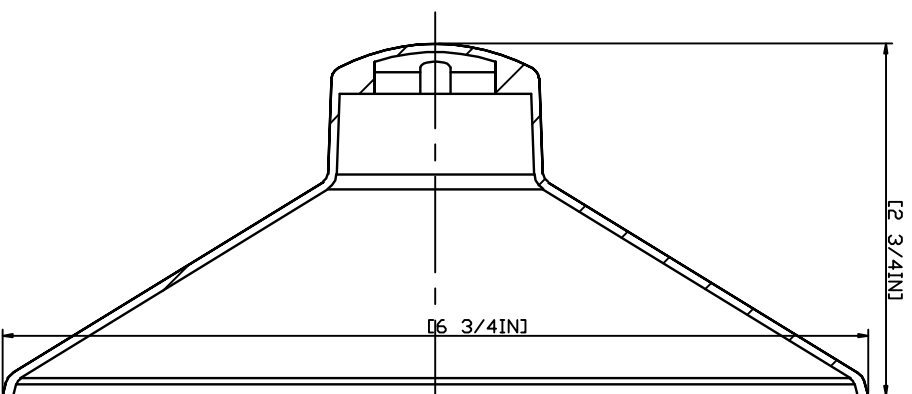
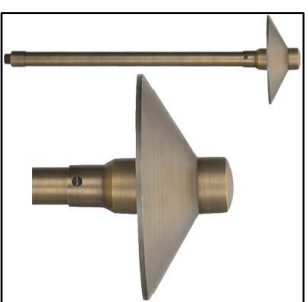


LV23



BQL LIGHTING

MODEL	FRESNO LV23	SOLID CAST BRASS
FINISH: BRONZE, VERDE	LAMP: 10W Xenon Bi-Pin	12V. DC 1of1