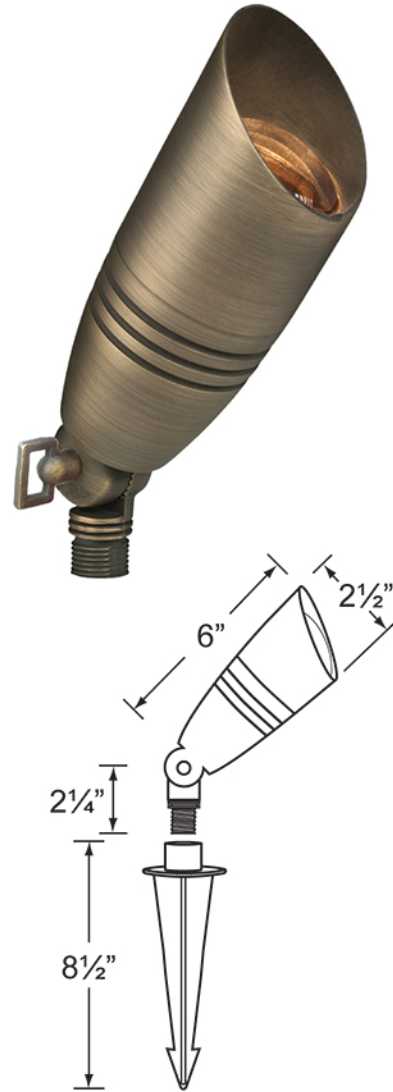


PRODUCT SPECIFICATION SHEET

LBE-17-AB

Specifications:

- Housing:** Corrosion Resistant Cast Brass.
- Finish:** **AB - Antique Bronze.** AB finish may vary due to toning process.
- Lens:** Clear heat resistant glass.
- Socket:** Ceramic bi-pin socket, with lamp retention clips or spring to secure the lamp.
- Lamp:** 50W max halogen 12V MR-16. LED compatible.
- Wiring:** Prewired with 3-ft of 18-2 direct burial wire. Wire connectors available seperately.
- Gasket:** Double silicone o-ring for water tight sealing.
- Knuckle:** Adjustable cast brass knuckle with thumb screw.
- Mounting Spike:** Injection molded spike included.
- Transformer:** 12V Transformer required.
- Warranty:** 10 year limited warranty on housing against manufacturer's defects.



Related Items:



LBE-27-AB



LBE-649-AB



LBE-650-AB



LBE-201-AB



LBE-2236-AB



LBE-2236-WH