

# SPECIFICATION SHEET

## PRODUCT # : CL-517B-AB

• Directional Lights

• Cast Brass

### Fixture Specifications:

**Housing & Shroud:** Corrosion Resistant Cast Brass.

**Finish:** **AB- Antique Bronze.** Natural toning process. AB finish will vary due to artistic process.

**Lens:** Frosted and heat resistant tempered flat glass, supplied with extra clear and linear glass lenses.

**Socket:** Top grade fixed ceramic bi-pin socket.

**Lamp:** 12V, T3 halogen, 35W max. L-20T3 (20w) standard. LED lamps available in 1W and 4W- 3000k color temperature. Xenon lamps available in 10W and 20W

**Wiring:** Fixture is prewired with a 3-ft 18-2 SPT2-W direct burial cord. Wire connector available separately. Universal connector CX-839 or gel filled wire nut CX-854 may be ordered to Corona Lighting.

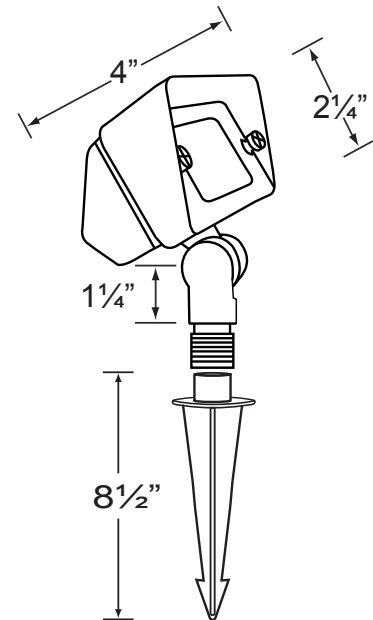
**Gasket:** Silicone gasket for water tight sealing

**Knuckle:** Adjustable cast brass knuckle with thumb screw and 1/2" NPT threaded male hub on bottom.

**Mounting Spike:** Standard injection molded spike with 1/2" NPT threaded female hub.

**Electrical Notes:** A remote 12V transformer required, may be ordered to Corona Lighting separately. Voltage range for 12V halogen lamps are 11V-12.5V. Voltage range for LED lamps are 10V-14V. Proper grease/lubricant is suggested on threaded parts during installation process.

**Warranty:** Limited lifetime warranty on fixture housing against manufacturer's defects.



### MOST COMMON ACCESSORIES USED WITH THIS FIXTURE



**Mounting Stems**

- CX-682B-AB 6"
- CX-683B-AB 12"
- CX-684B-AB 18"
- CX-685B-AB 24"
- AB - Antique Bronze



**Mounting Canopy**

- CX-709B-AB
- AB- Antique Bronze



**Mounting Pedestal**

- CX-603-BK
- BK - Black

### JOB INFORMATION

TYPE: \_\_\_\_\_ DATE: \_\_\_\_\_

JOB NAME & ADDRESS: \_\_\_\_\_

PRODUCT #:

TOTAL QUANTITY:

LAMP TYPE & WATTAGE:

TRANSFORMER:

CONTRACTOR:

SPECIFIER: