

# SPECIFICATION SHEET

## PRODUCT # : CL-203-AB

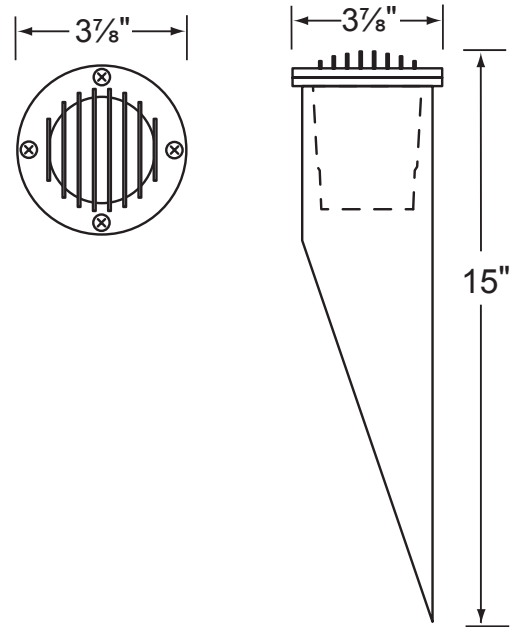
• Well Lights

• Cast Brass

### Fixture Specifications:

- Housing:** Cast Brass fixture mounted with stainless steel retention clips inside PVC sleeve.
- Face Plate Finish :** **AB- Antique Bronze.**  
Natural toning process. AB finish will vary due to artistic process.
- Lens:** Clear, tempered and heat resistant convex glass. Extra flat lens included.
- Socket:** Top grade ceramic bi-pin socket with retention clip.
- Lamp:** 12V, MR-16 halogen, 50W max. L-BAB-C20 (20w) standard. See below for available LED lamps.
- Gasket:** Silicone "O" ring seals faceplate to housing providing weather tight protection.

- Wiring:** Fixture is prewired with a 3-ft 18-2 SJT-W direct burial cord. Wire connector available separately. Gel filled wire nut CX-854 may be ordered to Corona Lighting.
- Mounting:** In-ground direct burial or concrete encasement.
- Electrical Notes:** A remote 12V transformer required, may be ordered to Corona Lighting separately. Voltage range for 12V halogen lamps are 11V-12.5V Voltage range for LED lamps are 9V-17V.
- Warranty:** Limited lifetime warranty on brass fixture against manufacturer's defects.



### AVAILABLE LED LAMPS

LAMP NUMBER	WATTS	BRAND	BEAM		COLOR & TEMP.	ORDER CODE
			SPREAD	LUMEN		
L-EDMR16-EP-3W-FL	3.5	EPISTAR	45° Flood	210	WW 2700K	MR16-EP-3W-FL
L-EDMR16-EP-5W-FL	5	EPISTAR	45° Flood	270	WW 2700K	MR16-EP-5W-FL
L-EDMR16-3W-WW-SP	3.5	CREE	15° Spot	210	WW 2700K	MR16-3W-WW-SP
L-EDMR16-3W-WW-FL	3.5	CREE	45° Flood	210	WW 2700K	MR16-3W-WW-FL
L-EDMR16-3W-WW-WF	3.5	CREE	60° Wide Flood	210	WW 2700K	MR16-3W-WW-WF
L-EDMR16-5W-WW-SP	5	CREE	15° Spot	270	WW 2700K	MR16-5W-WW-SP
L-EDMR16-5W-WW-FL	5	CREE	45° Flood	270	WW 2700K	MR16-5W-WW-FL
L-EDMR16-5W-WW-WF	5	CREE	60° Wide Flood	270	WW 2700K	MR16-5W-WW-WF

### JOB INFORMATION

- TYPE: \_\_\_\_\_ DATE: \_\_\_\_\_
- JOB NAME & ADDRESS: \_\_\_\_\_
- PRODUCT #:
- TOTAL QUANTITY:
- LAMP TYPE & WATTAGE:
- TRANSFORMER:
- CONTRACTOR:
- SPECIFIER:

• Corona Lighting reserves the right to make any change and/or improvement to the design and construction of this fixture without further notification.