

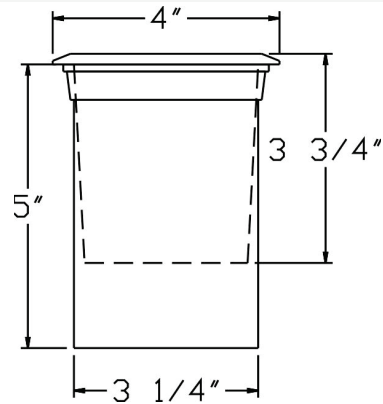


**Catalog#: 5010R**  
**MR16 WELL LIGHT W/ ROUND S/S COVER**

**Category** Landscape Lighting  
**Page** [G28](#)

**Specifications:**

**Voltage** 12 Volts  
**Lamp type:** MR16 20W Lamp Included, 35W Max.  
**Socket** Premium grade Porcelain socket with Nickel contacts and Teflon-jacketed wire leads  
**Gasket** Sealed with high grade weatherproof Silicone Gasket  
**Wiring** Pre-wired with 24" SJT Cord  
**Accessories** Round Stainless Steel Cover on PVC Sleeve  
**Document** [Installation Instructions](#)  
**Certifications**



Cat. No.	UPC
5010R	615624268103

